

Masport®

BARBECUE RANGE

WESTHAVEN H/HOOD 16 553114

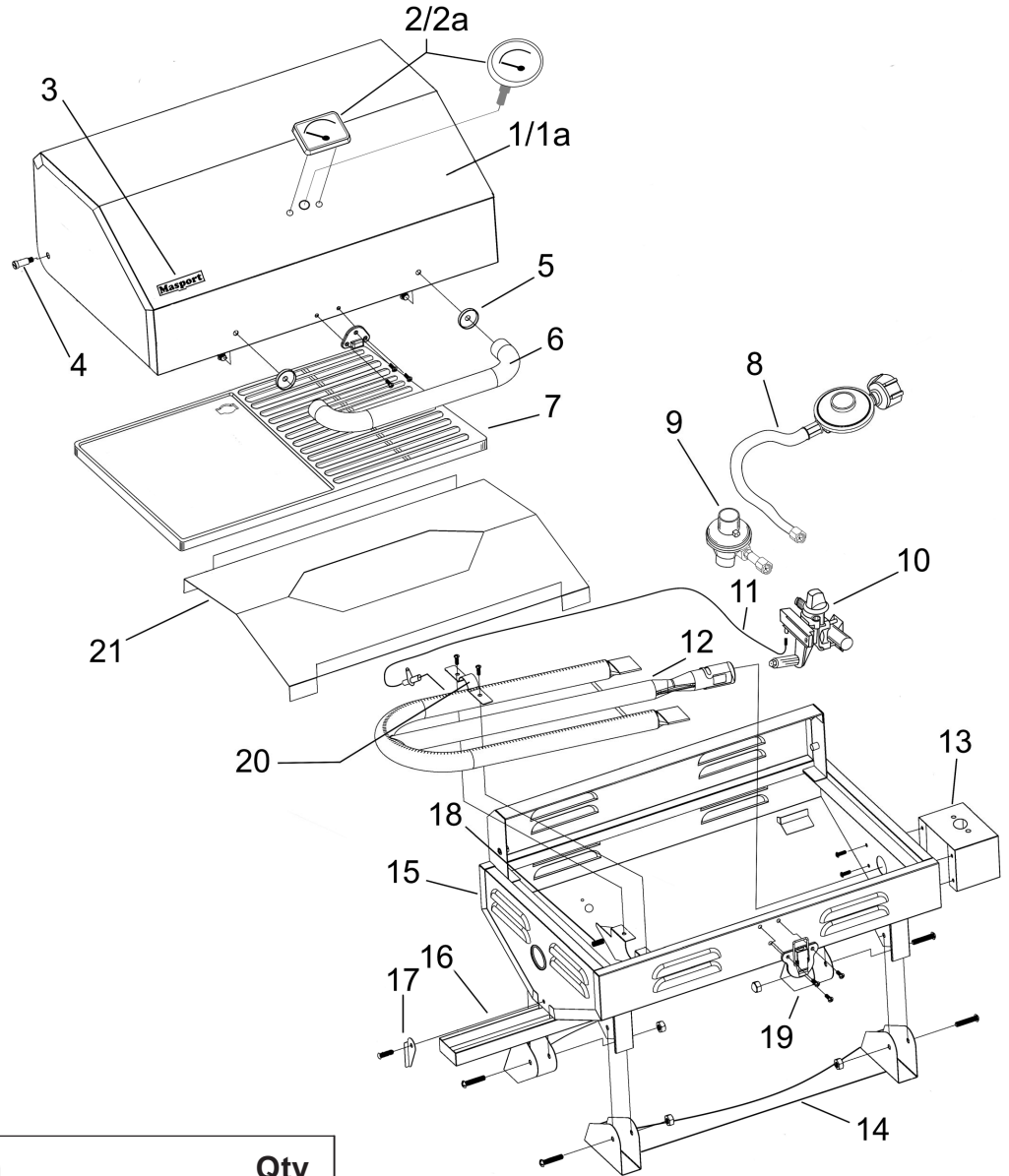
Dimensions	<u>BBQ Body</u>	<u>Actual</u>	<u>Cooking Area</u>
Width	500mm	600mm	470mm
Depth	330mm	425mm	280mm
Height	365mm	370mm	

Market Introduced - August 2019



Not Included
548598 Wall Mount

*Issue A.1
ECN 12873
July 2021 PB
Ref # 753114*



Item	Part	Description	Qty
1	547249	Hood w/out Handle 304 High/Hood	1
2	548697	Gauge- Temperature, Rectangle 18	1
1a	543332	Hood w/out Handle 304 High/Hood	1
2a	543333	Gauge- Temperature, Round	1
Note, Items 1a & 2a introduced 2021 (Hood has single hole)			
3	585581	MASPORT Badge	1
4	558743	Screw- Swivel, Hood	1
5	558740	Bezel, Handle	2
6	558738	Handle- Hood	1
7	559586	Plate Grill P/E (Combo) 465 x 280	1
8	559221	Hose & Regulator, QCC 5/8 Elbow	1
Note, BBQ is supplied with the above Hose & Regulator In Aus use a 558756 for a replacement Hose & Regulator			
8	558756	Hose & Regulator, POL 5/8 InLine	1
9	546415	Regulator- 1 LB Cylinder W/Ext	1
10	548700	Manifold- Assy(Int Ign) 0.9	1
10a	548704	Knob BBQ, 8.0 RB S/Grip Zinc	1
11	547251	Electrode & Wire	1
12	558748	Burner	1
13	549710	Bracket- Ext, Burner Suit Valve	1
14	548691	Feet 304SS	2

Item	Part	Description	Qty
15	548696	Fire Box (smoker option knock out)	1
16	558753	Tray- Drip	1
17	558752	Latch, Drip Tray	1
18	558751	Spring- Latch, Drip Tray	1
19	558742	Latch, Firebox	1
20	558747	Bracket- Burner	1
21	558758	Flame Tamer	1
NOT ILLUSTRATED			
	503381	Clip- Starloc, 4mm dia	2
	558744	Nut- Domed, Hood	2
	558755	Hardware Pack	1
	549709	Owner Manual-Westhaven	1



Data Plate 548579.a.2

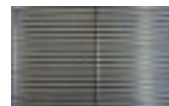
Name	Model	GMK Approval	Injector (mm)	Pressure (kPa)	Inp/Burn (Mj/h)	Total (Mj/h)
MASPORT Westhaven	MS304H-1B1	GMK 10396	0.9	2.75	10.7	10.7
Minimum Clearance : From Top of BBQ : 1000mm, From Sides : 600mm, From Rear : 600mm						
Min Gas Supply Pressure: 2.05kPa						
Max Overpressure: 7kPa						
Gas Type: ULPG						
Max Gas Supply Pressure: 3.45kPa						
MASPORT LIMITED 320 Ti Rakau Drive, East Tamaki, Auckland 2013, New Zealand PO Box 14349, Panmure Auckland 1471, New Zealand						
MASPORT AUSTRALIA PTY LIMITED 27 Commercial Drive, Dandenong South Melbourne, Victoria 3175, Australia PO Box 533, Braeside, Victoria 3195, Australia						
OUTDOOR USE ONLY			MANUFACTURED BY: EVER WINS			
DO NOT operate this appliance before reading owners manual						
NZ: Complies to NZ Standard 5262 Tested to AU Standard: AS 2658-2008 (AMDT3) Distributed by Masport Limited						

Available Options

548598 Bracket- Wall Mount, Portable BBQ



558745 Grill



558780 Hotplate S/S

