

Masport®

BARBECUE RANGE

WESTHAVEN H/HOOD 552951

Dimensions	<u>BBQ Body</u>	<u>Actual</u>	<u>Cooking Area</u>
Width	500mm	600mm	470mm
Depth	330mm	425mm	280mm
Height	365mm	370mm	

Market Introduced - October 2017

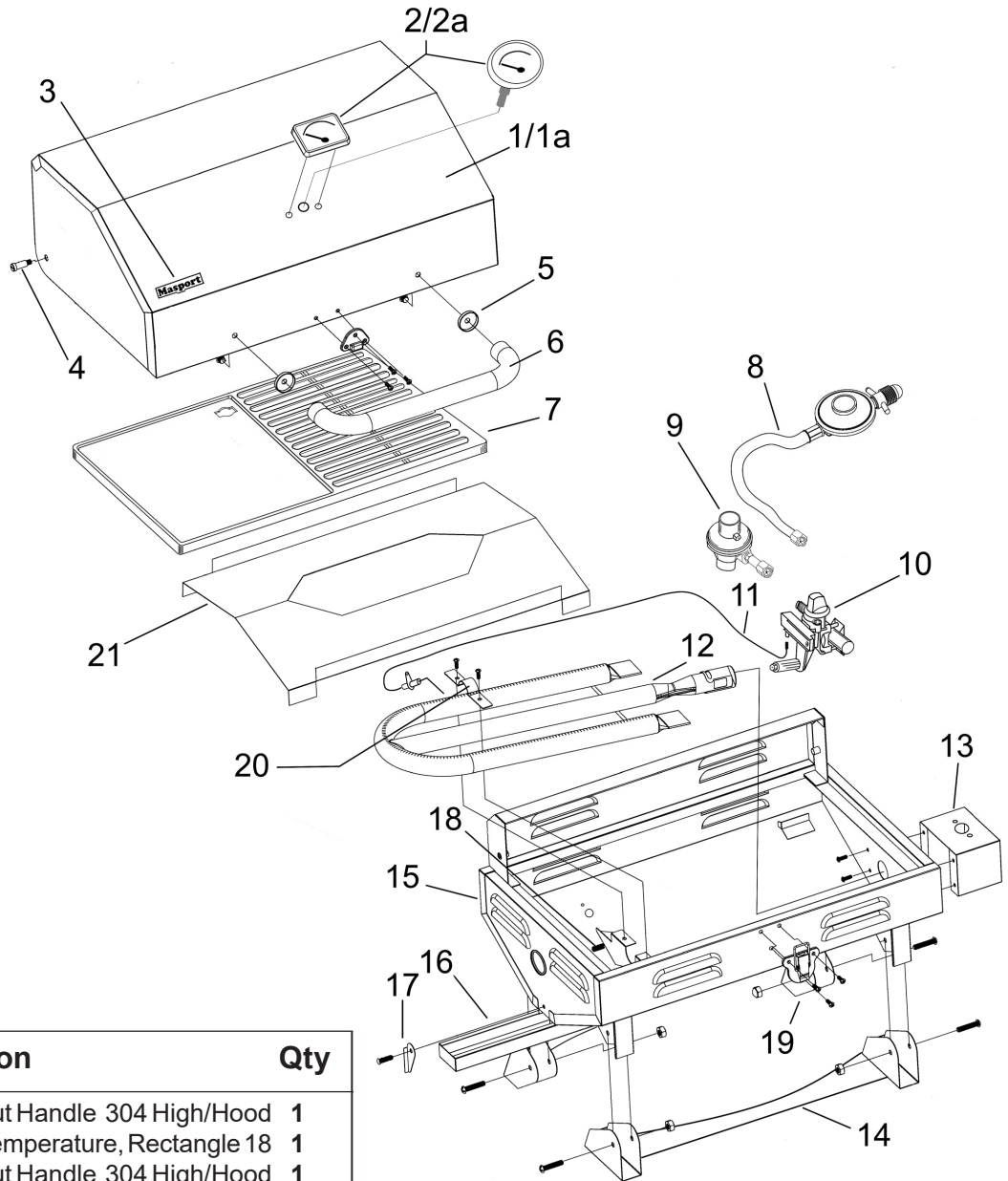


Not Included
548598 Wall Mount

*Issue A.3
ECN 12873
July 2021 PB
Ref # 752951*



Westhaven H/Hood



Item	Part Description	Qty
------	------------------	-----

1	547249 Hood w/out Handle 304 High/Hood	1
2	548697 Gauge- Temperature, Rectangle 18	1
1a	543332 Hood w/out Handle 304 High/Hood	1
2a	543333 Gauge- Temperature, Round	1
Note, Items 1a & 2a introduced 2021 (Hood has single hole)		
3	585581 MASPORT Badge	1
4	558743 Screw- Swivel, Hood	1
5	558740 Bezel, Handle	2
6	558738 Handle-Hood	1
7	559586 Plate Grill P/E (Combo) 465 x 280	1
8	558756 Hose & Regulator, POL 5/8 InLine	1
Note , BBQ is supplied with the above Hose & Regulator For NZ spares, replace with the below Hose & Regulator		
8	559221 Hose & Regulator, QCC 5/8 Elbow	1
9	546415 Regulator- 1 LB Cylinder W/Ext	1
10	548700 Manifold- Assy(Int Ign) 0.9	1
10a	548704 Knob BBQ, 8.0 RB S/Grip Zinc	1
11	547251 Electrode & Wire	1
12	558748 Burner	1
13	549710 Bracket- Ext, Burner Suit Valve	1
14	548691 Feet 304SS	2
15	548696 Fire Box (smoker option knock out)	1

Item	Part Description	Qty
------	------------------	-----

16	558753 Tray-Drip	1
17	558752 Latch, Drip Tray	1
18	558751 Spring-Latch, Drip Tray	1
19	558742 Latch, Firebox	1
20	558747 Bracket-Burner	1
21	558758 Flame Tamer	1

NOT ILLUSTRATED

503381	Clip- Starloc, 4mm dia	2
549719	Valve-High Hood Portable	1
558744	Nut- Domed, Hood	2
558755	Hardware Pack	1
549709	Owner Manual- Westhaven	1



Westhaven H/Hood

Data Plate 548579.a.2

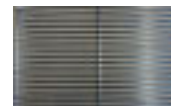
Name	Model	GMK Approval	Injector (mm)	Pressure (kPa)	Inp/Burn (Mj/h)	Total (Mj/h)
MASPORT Westhaven	MS304H-1B1	GMK 10396	0.9	2.75	10.7	10.7
Minimum Clearance : From Top of BBQ : 1000mm, From Sides : 600mm, From Rear : 600mm						
Min Gas Supply Pressure: 2.05kPa						
Max Overpressure: 7kPa						
Gas Type: ULPG						
Max Gas Supply Pressure: 3.45kPa						
MASPORT LIMITED 320 Ti Rakau Drive, East Tamaki, Auckland 2013, New Zealand PO Box 14349, Panmure Auckland 1471, New Zealand						
MASPORT AUSTRALIA PTY LIMITED 27 Commercial Drive, Dandenong South Melbourne, Victoria 3175, Australia PO Box 533, Braeside, Victoria 3195, Australia						
OUTDOOR USE ONLY			MANUFACTURED BY: EVER WINS			
DO NOT operate this appliance before reading owners manual NZ: Complies to NZ Standard 5262 Tested to AU Standard: AS 2658-2008 (AMDT3) Distributed by Masport Limited						
						5-48579.A.2

Available Options

548598 Bracket- Wall Mount, Portable BBQ



558745 Grill



558780 Hotplate S/S

