



Masport®

Home Gardener / Jardinero doméstico / Motoculteur



IMPORTANT / IMPORTANTE

OWNER'S MANUAL.

GBR

Please read these instructions carefully before assembly.

Keep these and the engine instructions in a safe place for future use.

MODE D'EMPLOI.

FRA

Lire soigneusement ces instructions avant d'assembler le motoculteur.

Garder ces instructions en lieu sûr à titre de référence future.

MANUAL DEL PROPIETARIO.

ESP

Lea estas instrucciones detenidamente antes del montaje.

Guarde estas instrucciones en un sitio seguro para uso en el futuro.



Do not operate this machine before it has been assembled correctly and you have read and understood these instructions.



These instructions are intended as a general guide and do not supersede national or local codes in any way. Contact local Authorities for clarity of laws relating to operation of this appliance.

Keep the instructions in a safe place for future use.

Contents

Symbols in this Owner's Manual	2
Proper Use	3
Safety Precautions	3
Contents of Shipping Container	4
Assembly Instructions	4
Before you Start	5
General Maintenance	6
Using Your Home Gardener	6
Optional Extras	7
Troubleshooting	8
Specifications	8

Symbols in this Owner's Manual



Threatened hazard or hazardous situation.
Not observing this instruction can lead to injuries or cause damage to property.



Important information on proper handling.
Not observing this instruction can lead to faults in the machine.



User information. This information helps you to use all the functions correctly.

Symbols used on the Machine



Read and understand this Owner's Manual before operating the machine.



Keep bystanders clear. Danger of flying objects.



Keep hands and feet clear.



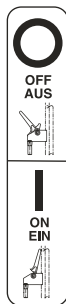
Max 15° slope when using machine.



Noise level.



Warning! Keep hands and feet clear of rotating blades.



Operator Presence Control Lever (OPC).



Keep hands and feet clear of rotating blade.

Proper Use

For safety reasons, the Home Gardener is not to be used by children, young people, or any other persons who are not acquainted with these directions for use.



Specific safety information Please read this safety information and the directions for use carefully and be sure to follow the instructions to the letter.



Warning!

Even though this machine has been designed to be safe in use, it is essential to follow the Safe Working instructions carefully to avoid accidents to persons or property.

Safety Precautions

UNDERSTAND YOUR HOME GARDENER

Read and understand the owner's manual and labels affixed to the Home Gardener. Learn its application and limitations as well as the specific potential hazards peculiar to it.

DRUGS, ALCOHOL AND MEDICATION

Do not operate the Home Gardener while under the influence of drugs, alcohol, or any medication that could affect your ability to use it properly.

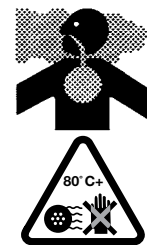
1. Your Home Gardener is a piece of power equipment, not a toy, and should be operated with extreme caution at all times.
2. Children should never be allowed to operate the Home Gardener. Only persons acquainted with the rules of safe operation set forth in this manual should be allowed to operate the machine.
3. Read the complete manual to fully understand the function of all the accessories and controls.
4. Keep other people, children and pets well away from the area of operation as there is a risk of objects being thrown out during operation.
5. Do not stand in front of the machine when starting the engine or when the machine is running.
6. Wear hearing and eye protection.
7. Do not operate the machine barefoot or with open sandals. Quality footwear is recommended.
8. Do not wear loose fitting clothing that could become caught in the moving parts of the machine.
9. Do not start the engine without the machine stand locked in the down position.
10. Do not place feet or hands on or near the working head or attachments while the engine is running.
11. Do not attempt to adjust the working head or attachments when the engine is running.
12. Do not leave the machine unattended when the engine is running.
13. Check the fuel supply before starting the engine. Do not fill the fuel tank with the machine indoors, while the engine is running or while the engine is hot. Replace the gasoline cap securely, and wipe off any spilled gasoline before starting the engine.



Warning!

Gasoline is extremely flammable; spilled fuel can cause a fire or explosion.

14. Do not run the machine indoors. Engine exhaust gases are deadly poisonous.
15. Do not touch the engine muffler during or after operation of the machine. It is extremely hot and can cause severe burns.
16. Do not change the engine governor speed setting. Over-revving of engine can damage the machine and endanger the operator.
17. Before changing attachments or doing maintenance on the machine, remove the spark plug wire and ground it to the engine block for added safety.
18. Use caution when using the machine near buildings or fences as damage or injury can result.
19. Do not attempt to remove debris from the attachments without stopping the engine and removing the spark plug wire for added safety. Make sure the working head has stopped completely before attempting to clear the debris.
20. Keep all bolts and fasteners on the machine tight and check them at regular intervals.
21. Do not store the machine inside a building with gasoline in the tank where fumes can reach an open flame or spark. Allow the engine to cool completely before storing inside any enclosure.



Important!

The engine is shipped WITHOUT GASOLINE or OIL. After assembly, service engine with gasoline and oil as instructed in the separate engine manual packed with your unit.

NOTE

Reference to right or left side of your Home Gardener is viewed from the operating position.

Contents of the Shipping Container

Prior to assembly check to see that the following parts are included with your Home Gardener.

1. Sub Frame Assembly and Engine
2. Upper and Lower Handle Assembly
3. Home Gardener Owner's Manual (this publication) and an Engine Owner's Manual.
4. Tine Cover:- MkII European only.

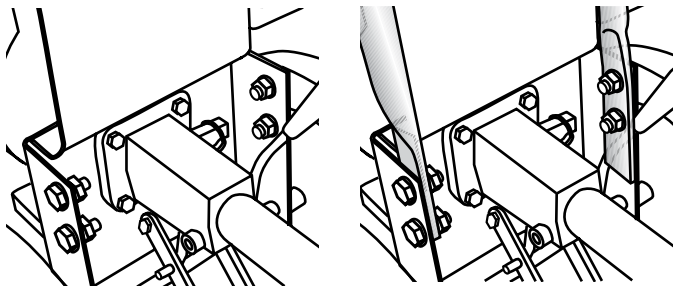
Assembly Instructions

TOOLS REQUIRED FOR ASSEMBLY

Two 17 mm AF spanners, a screwdriver—Pozi drive, adjustable wrench.

HANDLE ASSEMBLY

1. Attach the Handle Assembly to the Sub Frame using the four bolts and nuts provided. Tighten using two 17mm AF spanners.



A. Handle fasteners as shipped

B. Handle when assembled.

THROTTLE CONTROL

Uncoil the throttle control from around the engine. Remove the M6 nut and bolt from the right hand side of the upper handle and fit the Throttle Control to the handle and secure with the nut and bolt

OPERATOR PRESENCE CONTROL (OPC) LEVER

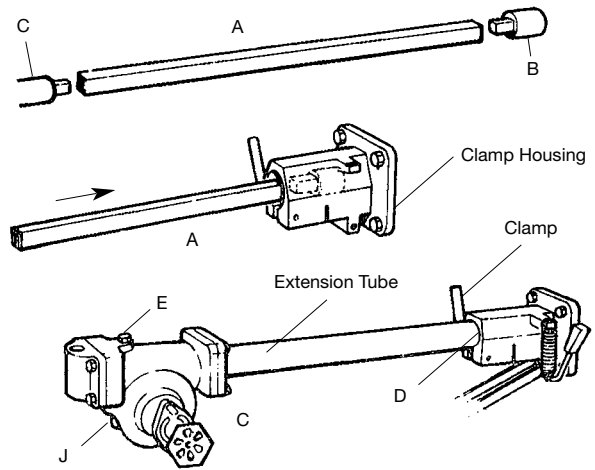
—European Models Only.

Uncoil the OPC control cable from around the engine. Remove the M6 nut and bolt from the left hand side of the upper handle and fit the OPC Lever to the handle and secure with the nut and bolt

Some models of Home Gardener are fitted with an OPC system that shuts down the engine if the operator moves from behind the handle. A small lever on the left handle must be held up towards the handle before the engine can be started. Releasing this lever will instantly switch off the ignition and bring the engine to a halt. This ignition switching is performed by a micro-switch mounted in a box just behind the chassis of the cultivator. A flexible cable connects the switchbox to the handle lever.

DRIVE SHAFT. Delivered pre assembled.

1. The drive shaft (A) is designed to fit snugly over the square pegs (B) and (C).
2. Care must be taken when installing the drive shaft as the square drive peg on the working head cannot be seen with the extension tube installed. Turn the shaft by hand until it fits over the peg.



GEARBOX and EXTENSION TUBE. Delivered pre assembled.

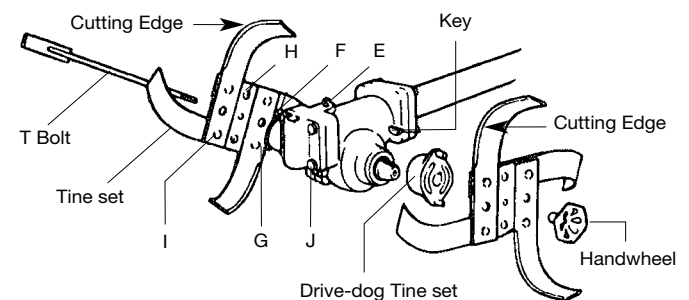
1. Insert the drive shaft into the clamp housing and onto the square drive peg on the engine shaft.
2. Slide the working head and extension tube over the drive shaft toward the clamp housing.



Important! When the extension tube is nearly all the way into the clamp housing the working head and extension tube will need to be rotated slowly until the drive shaft lines up with the square drive peg on the working head.

3. Once the drive shaft is on both drive pegs, the extension tube should be inserted into the clamp housing up to the step cut groove on the extension tube.
4. Tighten the clamp lever on the clamp housing **BY HAND ONLY**. The working head is intended to rotate slightly if the tines hit a rock or other solid objects. (Two washers are fitted between the shoulder of the clamp bolt and the housing.) The final angle of the clamp handle can be adjusted by removal of one or both of the washers.
5. Set the machine stand to the “down” position by moving the spring loaded lever fully to the rear (toward the engine).

NARROW TINE SET ASSEMBLY—Optional Accessory.



A reduction T-Bolt is provided to decrease the cultivation width to 30cm.

1. Undo the hand wheel from the working head and withdraw the T-Bolt. Be careful not to lose either of the keys which could be misplaced if the drive-dog tine sets are accidentally removed.



Important! The tine sets are interchangeable but be careful to fit them with the cutting edges positioned as illustrated.

2. Mount one tine set on the right-hand mounting with the studs (F) and (G) through the holes (H) and (I).
3. Insert the 19cm T-Bolt through the centre hole engaging the

"T Section" and push it through and out the left-hand tine set mounting.

4. Mount the second tine set and secure by screwing on the hand-wheel.

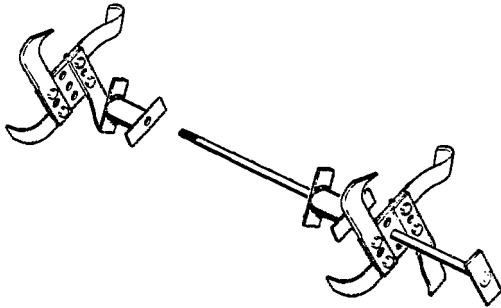
i Important!

Tighten the hand-wheel as firmly as you can by hand (Do not use tools to force it).

EXTENSION TINE SET ASSEMBLY- Optional Accessory.
Extension tine sets will increase the cultivation width to 60cm.

i Important!

The T ends of the spacer must be positioned in the recessed section of the tine set.



1. Slide the T-Bolt through the centre hole ensuring the inner tine set engages with the spacer.
2. Repeat this operation on the other side and secure by screwing on the hand-wheel.

i Important!

Ensure that the cutting edges of all tine sets are facing in the correct direction.

THE STABILISER WEIGHT.

The addition of the stabiliser weight will assist in deeper cultivation and the breaking up of hard compacted soils. To attach the weight, insert the peg into the hole at the front of the gearbox. Place the hairpin clip through the hole in the peg. On European models only—the Stabiliser Weight may be removed/fitted to the machine by pulling the securing clip from under the Tine Shield.

FITTING THE TINE SHIELD.

The Tine Shield is a standard fitting on the European Model and available as an optional extra on other models. To fit the Tine Shield place the spigot into the support on the Gearbox head and secure with the pin provided.



! Warning!

Regulations require that the European Model be used with the Tine Shield in place. Never operate the machine with the Tine Shield removed.

Before You Start

i Important!

The engine on this machine must not be operated until it is filled to the correct level with oil. Check the oil in the working head - refer to General Maintenance, point 2 on the next page.

Support your Masport Home Gardener in a level position and remove the plug marked 'OIL FILL'. Use a funnel to fill the crank case to the point of overflowing with SAE 10W-30 oil (600ml), then replace and tighten the plug. When filling the crank case, it is necessary to pour the oil slowly to avoid air locks.

Check the oil level each time you use your machine, and when necessary refill to overflowing. Replacement oil is available from your Masport Dealer. Fill the fuel tank with clean, fresh, preferably premium grade gasoline.

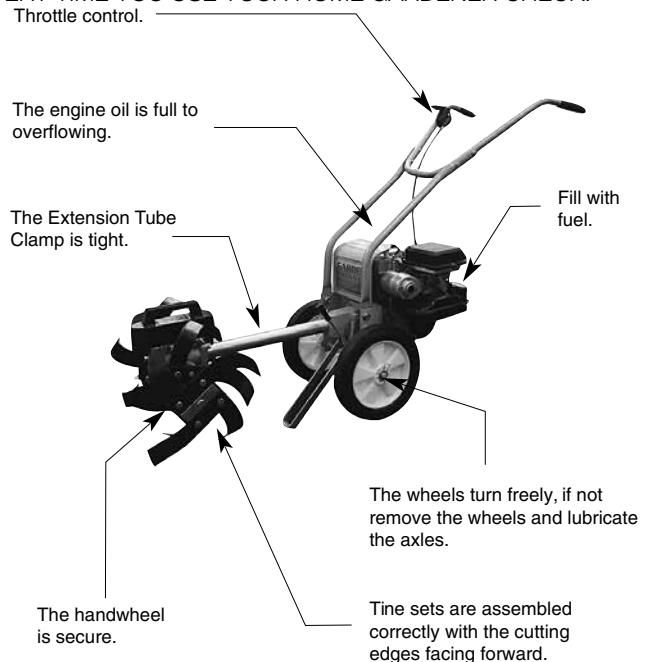
i The engine on your Home Gardener will benefit considerably from being used under only moderate loads for the first five hours use. Avoid using your machine with the engine at full throttle during this period.

STARTING THE ENGINE

For a more detailed description refer to the Engine Owner's Manual provided.

Ensure that the tines are not resting on the ground. Check that the support stand is down and locked in position.

EVERY TIME YOU USE YOUR HOME GARDENER CHECK:



General Maintenance

Lightly oil or grease the working parts.

The working head has been filled with a special gear oil, before delivery. For replacement oil, order Part Number 503335 from your Masport Dealer.



Important!

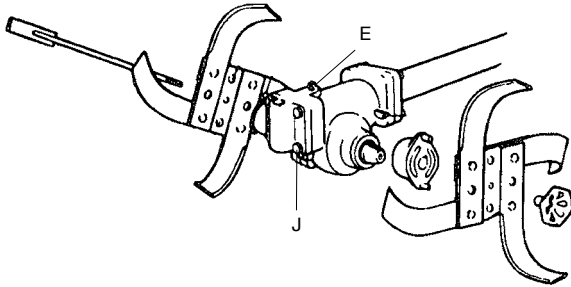
Failure to use this special purpose gear oil may cause damage to the gear and void your warranty. When you are washing your machine, take care not to wet the engine. This could damage it.

AFTER THE FIRST FIVE HOURS WORK

Change the engine oil. Refer to the Engine Manual provided for details.

AFTER EVERY 20-25 HOURS OF USE

1. Change the engine oil. Refer to the Engine Manual provided for details.
2. Check the oil in the working head. If necessary fill with oil (use Masport Part Number 503335). With the head in a level position, unscrew the oil plugs 'E' and 'J' and pour oil slowly in the top hole until the oil runs out of the lower hole. Replace and tighten both plugs.



3. Clean and re-oil the air filter (every few hours under dusty conditions). For a more detailed description refer to the Engine Manual provided.

AFTER EVERY 100 HOURS OF USE – More often under dusty conditions.

1. Service the air filter, refer to the Engine Manual.
2. Keep the fins of the engine block and cylinder head clean, refer to the Engine Manual.
3. Check that all nuts and bolts are tight.

Using Your Home Gardener

Once you have established an area of land which you visualise as your vegetable garden, you will want to clear it of weeds, grass, etc, before you start tilling. To carry out this task you should use the tilling tines, supplied as standard with your Home Gardener.

First place the Home Gardener on its supporting stand and make sure the tines will revolve in a forward direction with the cutting edges leading. Start the engine and advance the throttle setting to 'Fast'. Retract the stand by pushing the lever forward. Allow the tines to claw into the ground. This clawing action pulls the machine forward while it chips out the weeds and stubble. Swing the handles from side to side in an arc of approximately 50cm and move in a direct line towards the end of your garden area. Always exert a little upwards pressure on the handles except when you want to stop the forward movement. Guide the machine, don't push it. Let the Home Gardener work for you.

If some of the weed growth is really stubborn, draw the machine backwards down the row to dislodge any roots. When you finish the first row, push down on the handles to clear the tines from the soil and manoeuvre the machine on its wheels to begin digging the next row. Repeat this process until the area is cleared. Rake the loose weeds clear and you are ready to start cultivating.

THE FIRST DIG

This job is really a progression from the previous weeding operation. As before, set the throttle to the 'Fast' position and move the machine into position to dig the first row. This time, put a little more upward pressure on the handles and allow the tines to slice into the ground to a depth of approximately 15cm, as when weeding, swing the handles from side to side. Continue until the whole area has been cultivated. It may be wise to let the ground settle and dig it over once again before planting.

BREAKING IN HARD GROUND

If the ground is very hard and compacted, use the following "trenching" method of operation. The addition of the stabiliser weight can also be of assistance. With the Home Gardener throttle set to the 'Fast' position, swing the handles of the machine from side to side applying upward pressure on the handles. Dig a trench 15cm deep and slightly wider than the width of the tines. Then allow the machine to draw forward and let the wheels drop into the trench you have just dug. This will anchor the wheels in the trench. Repeat the procedure digging another trench. Then draw the machine backwards and demolish the mound between the two trenches. When this is completed allow the Home Gardener to propel itself forward until the wheels anchor themselves against the wall of the front trench, and repeat the process. Using this technique you will be able to handle the hardest of ground with relative ease.

PLANTING

Remember, plan to make the maximum use of your Masport Home Gardener for weeding and shallow cultivation. Leave enough room between the rows for the Home Gardener to be able to carry out inter-row work while the plants are growing, a minimum of 30cm will be required to allow use of your Home Gardener with single tine sets. Refer to 'Optional Extras'.

WEEDING

Your Home Gardener may be set up to cope with all types of weeding operations. If the area to be weeded is between widely spaced rows the standard double tine sets may conveniently be used. For more confined inter-row weeding the two outside tine sets may be removed and cultivation width reduced to 30cm. As your plants and seeds begin to mature, so do the weeds. If not attended to regularly, weeds will stifle and choke young plants. To weed between rows, set the working head on the Home

Gardener so that the curved tines are revolving in a forward direction. Start the machine and set the throttle to half speed. Lift slightly on the handles and work down between two rows swinging the handle from side to side allowing the tines to chip out the weeds. Use the machine in this manner between rows and between individual plants. The long reach neck of the Home Gardener lets you see where you're going when you work close to the plants. With practice, this exercise can be carried out at near normal walking pace.

HOW TO AERATE THE SOIL

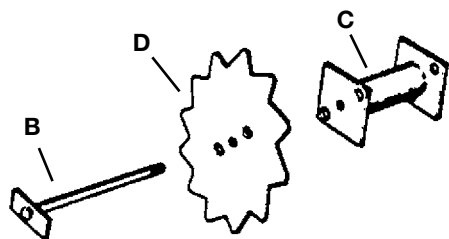
Aeration is necessary to allow even moisture distribution and oxygen intake to take place in the soil. For this exercise you should use the Cultivating Tool.

To fit: Slide the 11 inch (280mm) 'T' Bolt (B) through the Cultivating Tool (E) and Spacer Drive (C) then through the Gear Head. Tighten the Hand-nut to secure the assembly. Loosen the clamp that holds the extension shaft and twist the Gear Head 90 degrees, tighten clamp.

After the Cultivating Tool is fitted it should rotate in an anticlockwise direction. Once you have started the machine, lift the handles to let the Cultivating Tool break the soil surface, set the throttle to half speed and work backwards down the row, using the swing arc technique as previously described.

TRIMMING LAWN EDGES - Optional Extra

Fit the Edger Disc (D) to one side of the working head. To mount the Disc, you will need the mounting extension (C) and the 28cm T-Bolt (B) and the washer. Assemble as shown, making sure that the shallow pegs fit into the holes on the weeder. Remember the disc must revolve forward and the short side of each tooth should be in a leading position. Tighten the Hand-nut onto the T-Bolt (B) to secure the assembly.



Position the Home Gardener on a path to give a firm and constant bearing surface. Start the machine and set the throttle to quarter speed. Gently feed the disc between the lawn edge and the concrete. Keep the Home Gardener's speed controlled to let the teeth slice off overhanging grass. When you've finished the job, brush the trimmed grass clear. If you like a bevelled edge set the Trimmer at the required angle.

ROTARY BRUSH - Optional Extra

A useful scrubbing brush to assist in the revival of your drive, paths, patios, etc. Used in conjunction with concrete cleaners and water.

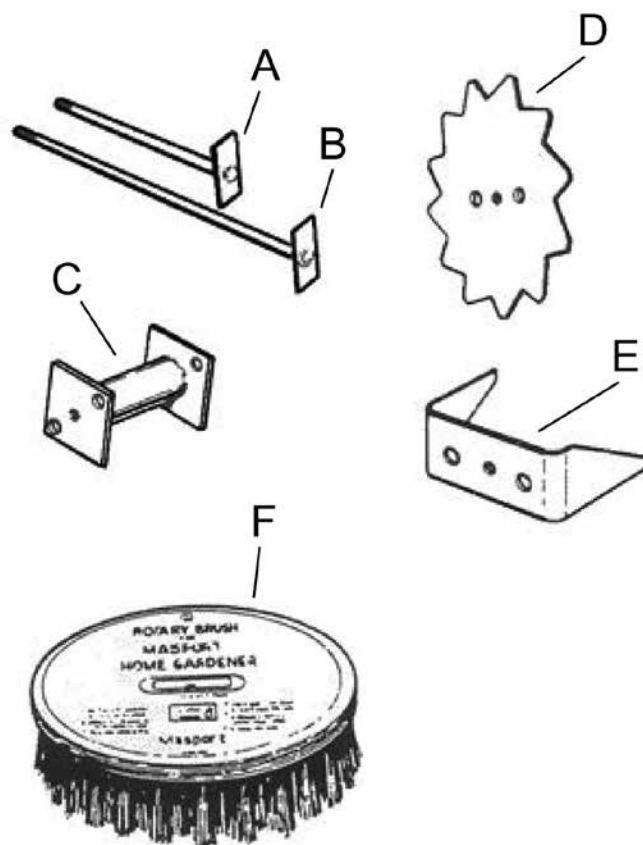
To fit: Slide the 11 inch (280mm) 'T' Bolt (B) through the Brush (F) and a Tine Spacer, then through the Gear Head. Tighten the Hand-nut to secure the assembly. Loosen the clamp that holds the extension shaft and twist the Gear Head 90 degrees, tighten clamp.

Optional Extras and Consumables

The following accessories can be purchased through your Masport Dealer.

- 755068 Tine Reduction Kit. This reduces the cutting head down to two tines, 30cm.
- 555069 Edger Kit. This is for trimming the edge of the lawn.
- 555790 Tine Shield.
- 503335 Gear Head oil.
- 550019 Accessory Kit which includes: Rotary Brush, Edge Trimmer, Cultivating Tool and associated parts.

- A. 1 x 7.5 inch (190mm) 'T' Bolt, used to convert your set of fitted tines down to two.
- B. 1 x 11 inch (280mm) 'T' Bolt, used to secure the Edger Disc, Cultivating Tool or Brush.
- D. 1 x Edger Disc
- C. 1 x Spacer Drive
- E. 1 x Cultivating/Aeration Tool
- F. 1 x Brush



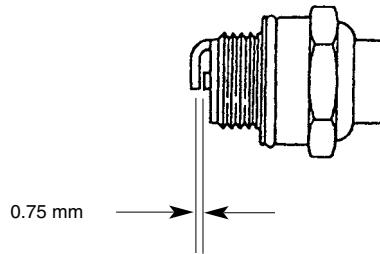
Troubleshooting

What to Check	Possible Cause	Remedy
Does the engine crank? YES ▼	NO ▶ Faulty recoil starter Internal damage.	Return unit to dealer.
Good compression? YES ▼	NO ▶ Loose spark plug. Excess wear on cylinder, piston, rings.	Tighten and re-test. Return unit to dealer.
Does the tank have fresh fuel? YES ▼	NO ▶ Fuel/mixture incorrect, stale, contaminated. Fuel of the proper grade?	Re-fill with fresh premium fuel. Use gasoline as specified.
Is fuel visible and moving in the return line when priming? YES ▼	NO ▶ Check for clogged fuel filter and/or vent.	Clear as required. Re-start.
Check the spark plug	If the plug is wet, excess fuel may be in the cylinder.	Crank the engine with plug removed, re- place the plug and restart.
	The plug may be fouled or improperly gapped.	Clean and regap the plug to 0.75mm. Restart.
	The plug may be damaged internally or of the wrong heat range.	Replace the plug with the specified plug. Restart.

TROUBLE CHECK LIST

Do not immediately assume you have mechanical trouble - first check the following possibilities:

1. Insufficient fuel in the tank. We recommend the use of unleaded fuels, for its clean burning and low alcohol content qualities.
2. Stale fuel.
3. Obstruction in the fuel cap vent.
4. Water or dirt in the fuel.
5. Incorrect carburettor adjustment.
6. Loose spark plug and/or lead.
7. Burned or carboned plug.
8. Incorrect gap in spark plug. The correct gap for a Champion RJ 19LM spark plug is 0.75mm (0.030").



Specifications

Model	MKII	MKII European
Unit Weight	37.5kg	41.5kg
Engine: All Models	Refer to the Engine Owner's Manual for details.	
Trenching Width (four tines)	46cm	46cm



No utilice este equipo antes de su montaje correcto y si no ha leído y comprendido las instrucciones.



Estas instrucciones son una guía general y no remplazan los códigos nacionales o municipales. Contacte con las autoridades municipales si desea aclaraciones sobre las leyes relativas al uso de este equipo.

Guarde las instrucciones en un sitio seguro para uso en el futuro.

Índice

Símbolos utilizados en este Manual del Propietario	10
Uso apropiado	11
Precauciones de seguridad	11
Contenido del contenedor de envío	12
Instrucciones de montaje	12
Antes de empezar	13
Mantenimiento general	14
Uso del Jardinero doméstico	14
Opciones extra	15
Resolución de problemas	16
Especificaciones	16

Símbolos utilizados en este Manual del Propietario



Amenaza de peligro o situación peligrosa. Respete esta instrucción para evitar lesiones o daños a la propiedad.

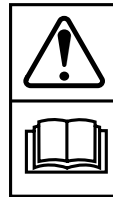


Importante información sobre el manejo correcto. Respete esta instrucción para evitar fallas del equipo.



Información para el usuario. Esta información le ayudará a usar todas las funciones correctamente.

Símbolos que se utilizan en la máquina



Lea y comprenda este Manual del Propietario antes de utilizar el equipo.



Mantenga a los espectadores alejados. Peligro de objetos despedidos.



Mantenga las manos y los pies alejados.



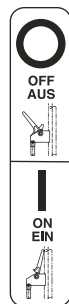
Pendiente máxima de 15° cuando use este equipo.



Nivel de ruido.



¡Atención! Mantenga las manos y los pies alejados de las cuchillas rotativas en rotación.



Palanca de control de presencia del operador (OPC).



Cuchilla en rotación — man tenga las manos y los pies alejados.

Uso apropiado

Por razones de seguridad el Jardinero doméstico no debe ser utilizado por niños, jóvenes o por personas que no conozcan estas instrucciones de uso.



Información especial sobre seguridad: Lea esta información sobre seguridad y las instrucciones de uso detenidamente para seguir las instrucciones exactamente.



Advertencia

Aun si este equipo fue diseñado con miras a su uso seguro, es esencial que siga detenidamente las instrucciones de uso seguro a fin de evitar accidentes personales o daño a la propiedad.

Precauciones de seguridad

COMPRENDA SU JARDINERO DOMÉSTICO

Lea y comprenda el manual del propietario y las etiquetas del Jardinero doméstico. Infórmese sobre su uso y sus limitaciones y sobre los posibles peligros específicos del equipo.

LAS DROGAS, EL ALCOHOL Y LOS MEDICAMENTOS

No use el Jardinero doméstico si se encuentra afectado por drogas, alcohol o medicamentos que podrían afectar su capacidad de usarlo en forma apropiada.

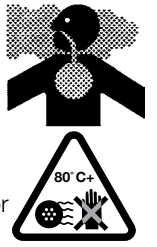
1. Su Jardinero doméstico es un equipo mecánico, no un juguete, y deberá ser sumamente cauteloso en todo momento al usarlo.
2. No permita jamás que los niños utilicen el Jardinero doméstico. No permita que las personas utilicen el equipo a menos de que hayan leído y comprendido las reglas de uso seguro contenidas en este manual.
3. Lea todo el manual para comprender cabalmente la función de todos los accesorios y controles.
4. Mantenga a otras personas, a los niños y animales domésticos bien alejados del área de funcionamiento pues existe el riesgo de que el equipo despidiera objetos durante su funcionamiento.
5. No se pare frente al equipo cuando lo arranque o cuando éste esté funcionando.
6. Use protección para los oídos y los ojos.
7. No utilice el equipo descalzo o con sandalias abiertas. Recomendamos el uso de calzado de buena calidad.
8. No use ropa suelta que podría engancharse en las piezas móviles del equipo.
9. No arranque el motor sin haber trabado el pie del equipo en la posición "abajo".
10. No ubique los pies o las manos sobre el cabezal o los accesorios o cerca de ellos mientras el motor esté en funcionamiento.
11. No intente ajustar el cabezal de trabajo o los accesorios mientras el motor esté en funcionamiento.
12. No deje el equipo desatendido si el motor estuviera en funcionamiento.
13. Examine el suministro de combustible antes de arrancar el motor. No llene el tanque de combustible si el equipo está en un recinto cerrado, mientras el motor está en funcionamiento o si el motor está caliente. Antes de arrancar el motor, vuelva a colocar y ajustar la tapa del combustible y limpie toda gasolina que se haya derramado.



¡Atención!

La gasolina es sumamente inflamable; el combustible derramado puede causar un incendio o explosión.

14. No utilice el equipo en un recinto cerrado. Los gases del escape del motor son venenosos y mortales.
15. No toque el silenciador del motor durante o después del funcionamiento del equipo. Está sumamente caliente y puede causar quemaduras graves.
16. No cambie la selección de velocidad del regulador del motor. El exceso de aceleración del motor puede dañar el equipo y poner en peligro al operador.
17. Antes de cambiar accesorios o de hacer mantenimiento en el equipo, desconecte el cable de la bujía y conéctelo a tierra al bloque del motor para mayor seguridad.
18. Sea cauteloso al usar el equipo cerca de edificios o cercas para evitar daños o lesiones.
19. No intente retirar rastrojos de los accesorios sin apagar el motor y desconectar el cable de la bujía para mayor seguridad. Compruebe que el cabezal se haya detenido completamente antes de intentar retirar los rastrojos.
20. Mantenga todos los bulones y sujetadores del equipo bien apretados, y compruébelos periódicamente.
21. No guarde el equipo en un edificio si tiene gasolina en el tanque si los vapores pueden llegar a una llama encendida o chispa. Espere a que el motor se enfríe completamente antes de guardarlo en un recinto cerrado.



¡Importante!

El motor se vende SIN GASOLINA o ACEITE. Después del montaje, haga el servicio del motor con gasolina y aceite según las instrucciones del manual separado del motor que se incluye con el equipo.

NOTA

Toda descripción del costado derecho o izquierdo del Jardinero doméstico se refiere a lo que se ve desde la posición del operador.

Contenido del contenedor de envío

Antes del montaje compruebe que todas las piezas siguientes de su Jardinero doméstico estén incluidas.

1. Conjunto del sub-marco y motor
2. Conjunto de la manija superior e inferior
3. Manual del Propietario del Jardinero doméstico (esta publicación) y Manual del Propietario del motor.
4. Tapa de las cuchillas rotativas: Modelo MkII europeo únicamente.

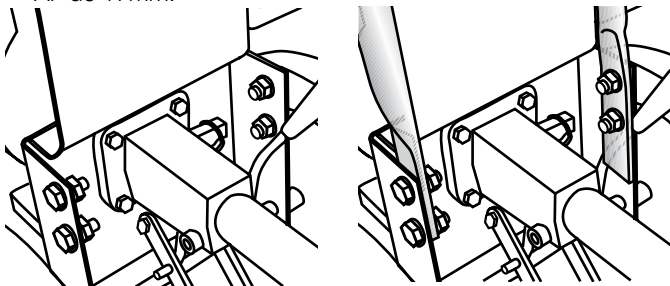
Instrucciones de montaje

HERRAMIENTAS NECESARIAS PARA EL MONTAJE

Dos llaves AF de 17 mm, un destornillador-Pozi drive, llave ajustable.

MONTAJE DE LA MANIJA

1. Sujete el conjunto de la manija al sub-marco usando los cuatro bulones y tuercas suministrados. Ajústelos con las dos llaves AF de 17mm.



A. Sujetadores de manija incluidos

B. Manija armada.

CONTROL DEL ACELERADOR.

Desenrosque el control del acelerador de alrededor del motor. Quite la tuerca y el bulón M6 del lado derecho de la manija superior y coloque el Control del acelerador en la manija, sujetándolo con la tuerca y el bulón.

PALANCA DE CONTROL DE PRESENCIA DEL OPERADOR (OPC).

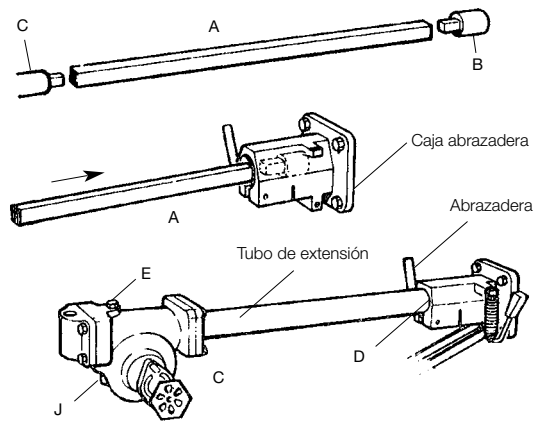
—Modelos europeos únicamente.

Desenrosque el cable del control OPC de alrededor del motor. Quite la tuerca y el bulón M6 del lado izquierdo de la manija superior, coloque la palanca OPC en la manija y sujétela con la tuerca y el bulón.

Algunos modelos del Jardinero doméstico vienen con un sistema CPO que apaga el motor si el operador deja su puesto de atrás de la manija. Para que el motor arranque es preciso mantener la pequeña palanca de la manija izquierda apretada contra la manija. Al soltar dicha palanca el arranque se apagará instantáneamente y se detendrá el motor. Este interruptor del arranque es accionado por un micro-interruptor montado en una caja justo detrás del chasis de la cultivadora. Un cable flexible conecta la caja del interruptor a la palanca de la manija.

EJE DE TRANSMISIÓN. Entregado ya armado.

1. El eje de transmisión (A) cabe exactamente sobre las espigas cuadradas (B) y (C).
2. Cuidado cuando instale el eje de transmisión ya que la espiga cuadrada de mando en el cabezal de trabajo no se puede ver cuando el tubo de extensión está instalado. Gire el eje con la mano hasta que encaje en la espiga.



CAJA DE CAMBIOS y TUBO DE EXTENSIÓN. Entregados ya armados.

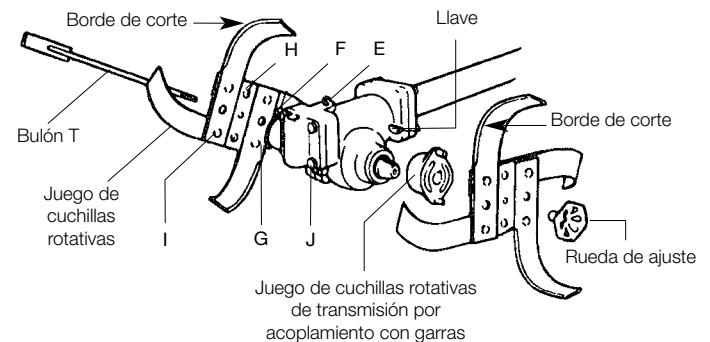
1. Inserte el eje de transmisión en la caja abrazadera y en la espiga cuadrada de transmisión en el eje del motor.
2. Deslice el cabezal de trabajo y el tubo de extensión sobre el eje de transmisión hacia la caja abrazadera.

¡Importante!

Cuando el tubo de extensión haya llegado casi al fondo en la caja abrazadera, tendrá que rotar lentamente el cabezal de trabajo y el tubo de extensión hasta que el eje de transmisión esté alineado con la espiga cuadrada de transmisión del cabezal de trabajo.

3. Una vez que el eje de transmisión esté sobre ambas espigas de transmisión, inserte el tubo de extensión en la caja abrazadera hasta la ranura escalonada del tubo de extensión.
4. Ajuste la palanca de la caja abrazadera A MANO ÚNICAMENTE. El cabezal de trabajo debe poder rotar levemente si las cuchillas rotativas golpean una piedra u otro objeto sólido. (Hay dos arandelas entre el borde del bulón y la caja abrazadera.) Es posible ajustar el ángulo final de la manija de la abrazadera retirando una o ambas arandelas.
5. Seleccione la posición "abajo" del pie del equipo moviendo la palanca a resorte hacia atrás hasta el fondo (hacia el motor).

EQUIPO DE CUCHILLAS ROTATIVAS ANGOSTAS – Accesorio optativo.



Se incluye un bulón T de reducción para disminuir el ancho de cultivo a 30cm.

1. Suelte la rueda de ajuste del cabezal de trabajo y retire el bulón T. Tenga cuidado de no perder ninguna de las llaves que se podría perder si se quitaran accidentalmente los juegos de cuchillas rotativas de transmisión por acoplamiento con garras.

¡Importante!

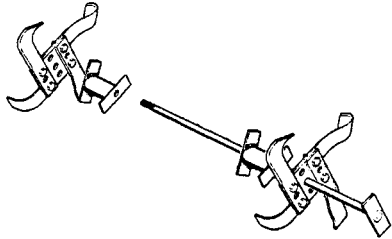
Los juegos de cuchillas rotativas son intercambiables, pero tenga cuidado de montarlos con los bordes de corte ubicados como se ilustra.

2. Monte un juego de cuchillas rotativas del lado derecho con los tarugos (F) y (G) por los agujeros (H) e (I).

3. Inserte el bulón T de 19cm por el agujero del centro, enganchando la "Sección T" y empújelo hasta el fondo hasta que salga por el conjunto del juego de cuchillas rotativas de la izquierda..
4. Monte el segundo juego de cuchillas rotativas y sujételo atornillando la rueda de ajuste.

¡Importante!
Ajuste la rueda cuanto pueda a mano (no use herramientas para forzarlo). JUEGO DE CUCHILLAS ROTATIVAS DE EXTENSIÓN – Accesorio optativo.
Los juegos de cuchillas rotativas de extensión aumentan el ancho de cultivo a 60cm.

¡Importante!
Los extremos T del espaciador deben estar ubicados en la sección del receso del juego de cuchillas rotativas.



1. Deslice el bulón T por el agujero del centro, asegurándose de enganchar el juego de cuchillas rotativas internas con el espaciador.
2. Repita este proceso del otro lado y asegúrelo atornillando en la rueda de ajuste.

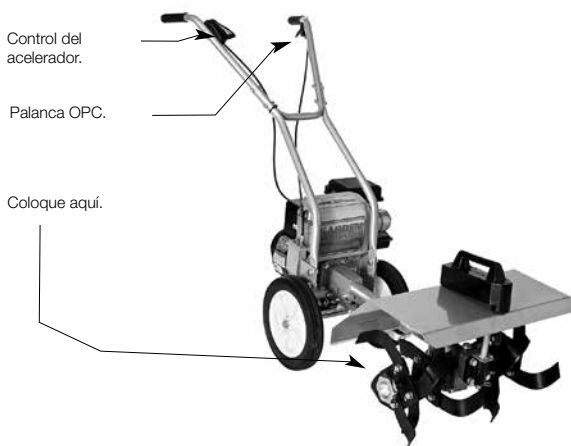
¡Importante!
Compruebe que los bordes de corte de todos los juegos de cuchillas rotativas estén mirando hacia el lado correcto.

LA PESA DE ESTABILIZACIÓN.

Agregue la pesa de estabilización para facilitar el cultivo profundo y para desmenuzar las tierras duras y compactadas. Para colocar la pesa, inserte la espiga en el agujero al frente de la caja de cambios. Coloque el pasador horquilla por el agujero de la espiga. En los modelos europeos únicamente: la pesa de estabilización se puede quitar/colocar en el equipo tirando del pasador sujetador debajo del Protector de cuchillas rotativas.

COLOCACIÓN DEL PROTECTOR DE CUCHILLAS ROTATIVAS.

El Protector de cuchillas rotativas es un accesorio estándar del modelo europeo; para otros modelos es un accesorio optativo. Para colocar el Protector de cuchillas rotativas ubique la espiga dentro del soporte en el cabezal de la Caja de cambios, y sujétela con el pasador suministrado.



⚠ ¡Atención!

El reglamento dispone que para usar el modelo europeo debe estar colocado el Protector de cuchillas rotativas. Nunca use el equipo si se ha quitado el Protector de cuchillas rotativas.

Antes del uso

¡Importante!
No utilice el motor de este equipo hasta haberle colocado el nivel correcto de aceite. Inspeccione el aceite del cabezal de trabajo – vea el punto 2 de Mantenimiento general en la página siguiente.

Ubique el Jardinero doméstico Masport en una superficie nivelada y retire la tapa "OIL FILL" (llenado de aceite). Use un embudo para llenar el cárter hasta desbordar con aceite SAE 10W-30 (600 MI), luego vuelva a colocar la tapa y ajústela. Cuando esté llenando el cárter tendrá que verter el aceite lentamente para evitar que se formen burbujas de aire.

Examine el nivel de aceite cada vez que use el equipo y vuelva a llenarlo hasta desbordar cuando sea necesario. Podrá obtener aceite en el representante Masport de su zona. Llene el tanque de combustible con gasolina limpia y fresca, preferiblemente de primera calidad.

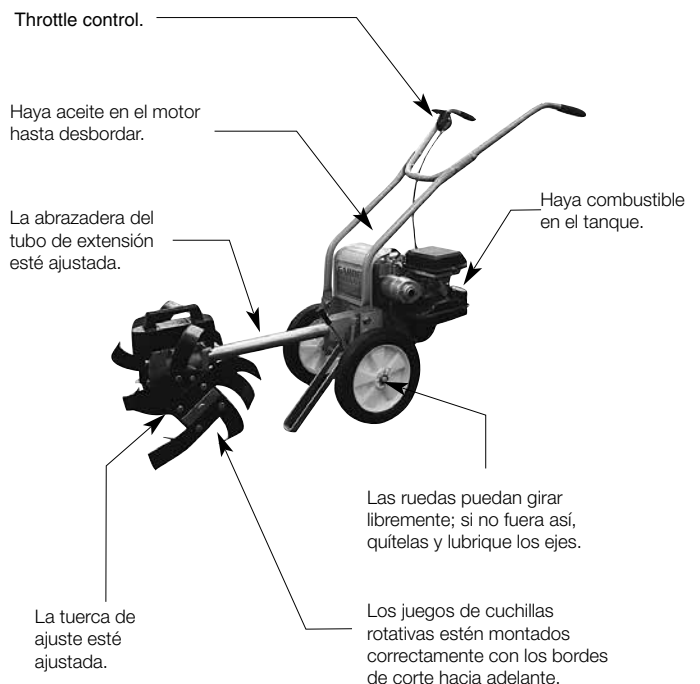
El motor de su Jardinero doméstico se beneficiará en mucho si lo usa sólo con cargas moderadas durante las primeras cinco horas de uso. Evite usar su equipo con el motor en máxima aceleración durante este tiempo.

ARRANQUE DEL MOTOR

Encontrará una descripción más detallada en el Manual del Propietario del motor incluido.

Compruebe que las cuchillas rotativas no estén apoyadas en el suelo, y que el pie de apoyo esté bajado y trabado en su lugar

CADA VEZ QUE USE SU JARDINERO DOMÉSTICO COMPRUEBE QUE:



Mantenimiento general

Aceite o engrase levemente las piezas de trabajo. El cabezal de trabajo viene llenado de aceite especial para engranajes de fábrica. Si necesita aceite para remplazarlo pida el N° de pieza 503335 al representante de Masport de su zona.



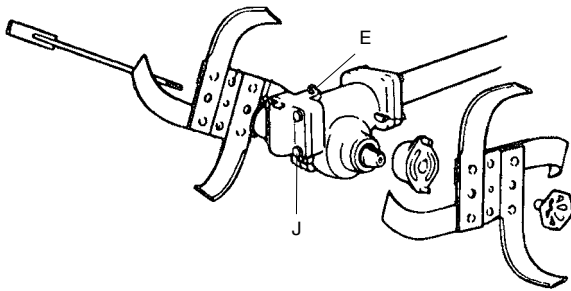
¡Importante!

Si no usara este aceite de engranajes especial podría dañar los cambios y anular su garantía. Cuando lave el equipo, tenga cuidado de no mojar el motor. Esto podría dañarlo.

DESPUÉS DE LAS PRIMERAS CINCO HORAS DE TRABAJO
Cambie el aceite del motor. Vea los datos en el Manual del motor suministrado.

DESPUÉS DE CADA 20-25 HORAS DE USO

1. Cambie el aceite del motor. Vea los datos en el Manual del motor suministrado.
2. Examine el aceite del cabezal de trabajo. Si fuera necesario llene con aceite (use el N° de pieza 503335 de Masport). Con el cabezal nivelado, desatornille las tapas de aceite "E" y "J" y vierta aceite lentamente en el agujero superior hasta que salga aceite por el agujero inferior. Vuelva a colocar y ajustar ambas tapas.



3. Limpie y vuelva a aceitar el filtro de aire (cada pocas horas de trabajo en condiciones de mucho polvo). Encontrará una descripción más detallada en el Manual del motor suministrado.

DESPUÉS DE CADA 100 HORAS DE USO– Más seguido en condiciones de mucho polvo.

1. Haga el servicio del filtro de aire; vea el Manual del motor.
2. Mantenga limpias las aletas del bloque del motor y cabezal del cilindro; vea el Manual del motor.
3. Compruebe que todos los bulones y tuercas estén ajustados.

Uso del jardinero doméstico

Una vez que haya demarcado una sección de terreno que visualiza como su futuro huerto, quite las malas hierbas y el pasto, etc. antes de comenzar a trabajar la tierra. Para ello, use las cuchillas rotativas de cultivo incluidas con su Jardinero doméstico. Primeramente ubique el Jardinero doméstico sobre el pie de apoyo y compruebe que las cuchillas rotativas puedan girar hacia adelante, con los bordes de corte hacia adelante. Arranque el motor y deslice el acelerador a la posición "Rápido" (Fast). Retraiga el pie empujando la palanca hacia adelante. Deje que las cuchillas rotativas "muerdan" la tierra. Esta acción arrastrará el equipo hacia adelante y al mismo tiempo picará las malas hierbas y el rastrojo. Mueva las manijas de lado a lado en un arco de unos 50cm y muévase en línea recta hacia el fondo de la zona del huerto. Ejerza siempre un poco de presión hacia arriba sobre las manijas, excepto cuando quiera detener el movimiento hacia adelante. No empuje el equipo, guíelo. Deje que el Jardinero doméstico haga el trabajo por usted. Si algunas de las malas hierbas son realmente duras, lleve el equipo hacia atrás por la misma hilera para soltar las raíces si las hubiera. Cuando haya terminado la primera hilera, empuje las manijas hacia abajo para alejar las cuchillas rotativas del suelo y maniobre el equipo sobre las ruedas para empezar a cavar en la hilera siguiente. Repita este proceso hasta haber recorrido toda la zona. Rastrille las malas hierbas sueltas y estará listo para comenzar a cultivar.

A PRIMERA EXCAVACIÓN

En realidad esta tarea es la continuación natural de la operación anterior de desherbado. Igual que antes, seleccione la posición "Rápido" del acelerador y mueva el equipo hacia la posición donde comenzará a excavar la primera hilera. Esta vez, ponga un poco más de presión hacia arriba en las manijas y deje que las cuchillas rotativas corten la tierra hasta una profundidad de unos 15cm; igual que cuando quitaba las malas hierbas, mueva las manijas de lado a lado. Continúe hasta haber cultivado toda el área. Tal vez convenga dejar que la tierra se asiente, y volver a excavar antes de plantar.

CÓMO ROMPER LA TIERRA DURA

Si la tierra está muy dura y compactada, use el siguiente método de "zanjas". También podría ser útil agregar la pesa de estabilización. Con el acelerador del Jardinero doméstico en "Rápido", mueva las manijas del equipo de lado a lado, aplicando presión hacia arriba en las manijas. Excave una zanja de 15cm de profundidad y un poco más ancha que el ancho de las cuchillas rotativas. Luego deje que el equipo vaya hacia adelante y que las ruedas caigan dentro de la zanja que acaba de excavar. Ello anclará las ruedas en la zanja. Repita este procedimiento y excave otra zanja. Luego lleve el equipo hacia atrás y demuela el montículo formado entre las dos zanjas. Cuando haya terminado, deje que el Jardinero doméstico se impulse hacia adelante hasta que las ruedas se anclen contra la pared de la zanja delantera, y repita el proceso. Con esta técnica podrá manejar las tierras más duras con relativa facilidad.

LA PLANTACIÓN

Recuerde, planifique para aprovechar al máximo su Jardinero doméstico Masport para quitar las malas hierbas y cultivar la tierra hasta una profundidad reducida. Deje suficiente espacio entre las hileras para que el Jardinero doméstico pueda trabajar entre las hileras mientras las plantas están creciendo; se necesitarán por lo menos 30cm para poder usar el Jardinero doméstico con un juego de cuchillas rotativas. Vea la sección "Opciones extra".

DESHERBADO

Su Jardinero doméstico puede afrontar todo tipo de tarea de desherbado. Si el área que desea limpiar se encuentra entre hileras bien espaciadas podrá usar los juegos estándar de cuchillas rotativas dobles. En el caso de superficies de desherbado con menos espacio entre hileras, podrá quitar los dos juegos de cuchillas rotativas externas y reducir el ancho de cultivo a

30cm. A medida que vayan madurando sus plantas y semillas, también madurarán las malas hierbas. Si no se ocupara de éstas periódicamente, las malas hierbas ahogarán las plantas jóvenes. Para desherbar entre hileras, ubique el cabezal de trabajo del Jardinero doméstico de modo que las cuchillas rotativas curvas giren hacia adelante. Arranque el motor y seleccione media velocidad. Levante las manijas levemente y trabaje hacia abajo entre las hileras, moviendo la manija de lado a lado, dándole tiempo al equipo para destruir las malas hierbas. Use el equipo de este modo entre las hileras y entre las plantas individuales. El cuello largo del Jardinero doméstico permite al operador ver hacia dónde está yendo cuando trabaja cerca de las plantas. Con la práctica, podrá realizar este ejercicio casi a velocidad de caminata.

CÓMO AIREAR EL SUELO

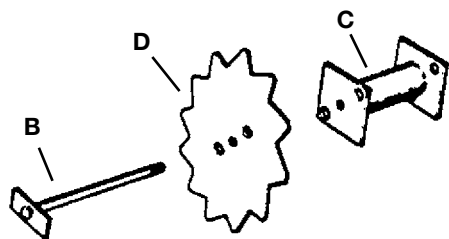
Es necesario airear el suelo para que la humedad se distribuya en forma pareja y que la tierra absorba oxígeno. Para ello se usa la Herramienta de cultivo.

Para colocarla: Deslice el Bulón en T de 11 pulgadas (280 mm) (B) a través de la Herramienta de cultivo (E) y del Impulsor espaciador (C) y luego a través del Cabezal de engranajes. Apriete la tuerca de ajuste manual para fijar el conjunto. Afloje la abrazadera que sostiene el eje de extensión y gire el Cabezal de engranajes 90 grados, y ajuste la abrazadera.

Después de colocar la Herramienta de cultivo en el equipo, debería rotar contra las agujas del reloj. Una vez que haya arrancado el motor, levante las manijas para que la Herramienta de cultivo pueda romper la superficie del suelo; seleccione media velocidad y trabaje hacia atrás por la hilera, usando la técnica de movimiento en arco descrita anteriormente.

RECORTE DE LOS BORDES DEL CÉSPED - Opción extra

Coloque el Disco de recorte de bordes (D) en un costado del cabezal de trabajo. Para montar el Disco necesitará la extensión de montaje (C), el Bulón en T de 28 cm (B) y la arandela. Monte el disco como se ilustra; compruebe que las espigas cortas quepan en los agujeros del desherbador. Recuerde que el disco debe girar hacia adelante y que el costado corto de cada diente debe estar hacia adelante. Apriete la tuerca de ajuste manual sobre el Bulón en T (B) para fijar el conjunto.



Ubique el Jardinero doméstico sobre un sendero para tener una superficie firme que lo soporte bien. Arranque el motor y seleccione un cuarto de velocidad. Lleve el disco suavemente entre el borde del césped y el cemento. Mantenga el control de la velocidad del Jardinero doméstico para que los dientes recorten el césped que sobresale. Cuando haya terminado la tarea, barra el césped recortado. Si prefiere un borde biselado, seleccione el ángulo deseado en el Recortador.

CEPILLO ROTATIVO - Opción extra

Un cepillo útil para frotar que le ayudará a revivir su entrada, sus senderos, patios, etc. Se utiliza con limpiadores para hormigón y agua.

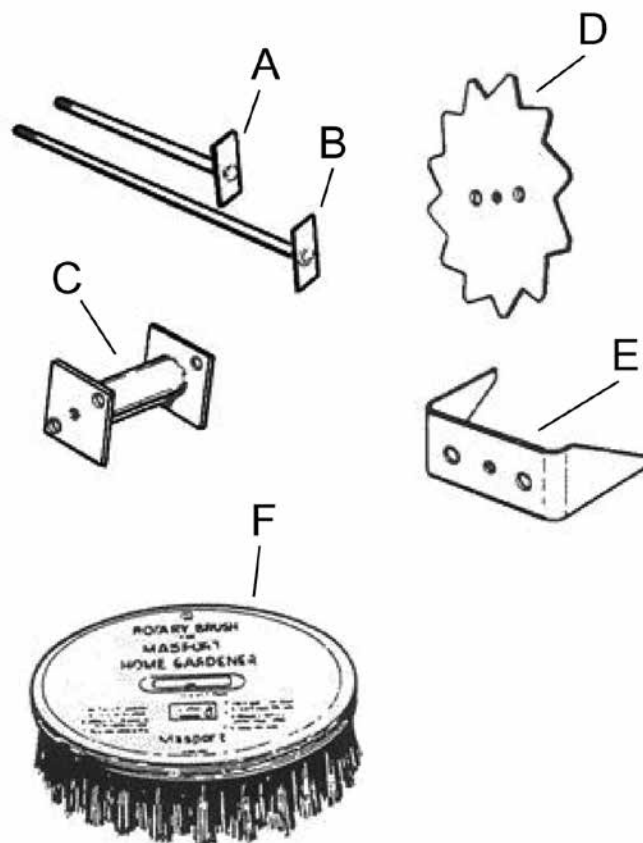
Para colocarlo: Deslice el Bulón en T de 11 pulgadas (280 mm) (B) a través del Cepillo (F) y de un Espaciador de cuchillas rotativas, y luego a través del Cabezal de engranajes. Apriete la tuerca de ajuste manual para fijar el conjunto. Afloje la abrazadera que sostiene el eje de extensión y gire el Cabezal de engranajes 90 grados, y ajuste la abrazadera.

Opciones extra y fungibles

Podrá adquirir los accesorios siguientes por intermedio del representante de Masport de su zona.

- 755068 Kit de reducción de cuchillas rotativas. Reduce el cabezal de corte a dos cuchillas rotativas, 30cm.
- 555069 Kit de recorte de bordes. Se usa para cortar el borde del césped.
- 555790 Protector de cuchillas rotativas.
- 503335 Aceite para cabezal de engranajes.
- 550019 Kit de accesorios, que incluye: Cepillo rotativo, Recortador de bordes, Herramienta de cultivo y las piezas correspondientes.

- A. 1 Bulón en T de 7,5 pulgadas (190 mm) para reducir su conjunto de cuchillas rotativas instaladas a dos cuchillas.
- B. 1 Bulón en T de 11 pulgadas (280 mm) para fijar el Disco de recorte de bordes, la Herramienta de cultivo o el Cepillo.
- D. 1 Disco de recorte de bordes
- C. 1 Impulsor espaciador
- E. 1 Herramienta de cultivo/aireación
- F. 1 Cepillo



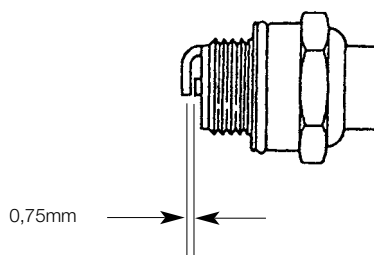
Resolución de problemas

Qué debe comprobar	Posible causa	Solución
¿Gira el motor? Sí ▼	NO ▶ Problemas con el arranque de retroceso Daño interno.	Devuelva el equipo al representante
¿Buena compresión? Sí ▼	NO ▶ Bujía suelta. Desgaste excesivo de cilindro, pistón, anillos.	Ajuste y vuelva a probar. Devuelva el equipo al representante
¿Tiene combustible fresco el tanque? Sí ▼	NO ▶ Combustible/mezcla incorrecta, vieja, contaminada. ¿Combustible del grado apropiado?	Vuelva a llenar con combustible fresco de primera. Use la gasolina especificada.
¿Se ve el combustible y se mueve en la línea de retorno cuando se ceba? Sí ▼	NO ▶ Compruebe que el filtro y/o ventilación del combustible no esté tapado.	Destape según sea necesario. Vuelva a arrancar.
Examine la bujía	Si la bujía estuviera mojada, puede que haya exceso de combustible en el cilindro.	Arranque el motor con la bujía desconectada; vuelva a colocar la bujía y vuelva a arrancar.
	Puede que la bujía esté sucia o que la luz no sea la correcta.	Limpie y vuelva a ajustar la bujía en 0,75mm. Vuelva a arrancar.
	Puede que la bujía esté dañada internamente o que sea de la gama de calor incorrecta.	Vuelva a colocar la bujía correspondiente. Vuelva a arrancar.

LISTA DE VERIFICACIÓN DE PROBLEMAS

No suponga automáticamente que tiene problemas mecánicos: compruebe primero las posibilidades siguientes:

1. No hay suficiente gasolina en el tanque. Recomendamos el uso de gasolina sin plomo, porque quema más limpio y contiene menos alcohol.
2. Combustible viejo.
3. Obstrucción en la ventilación de la tapa del combustible.
4. Agua o suciedad en el combustible.
5. Ajuste incorrecto del carburador.
6. Bujía y/o cable suelto.
7. Bujía quemada o carbonizada.
8. Luz incorrecta en la bujía. La luz correcta para las bujías Champion RJ 19LM es 0,75mm (0,030")



Especificaciones

Modelo	MKII	MKII europeo
Peso de la unidad	37,5 Kg	41,5 Kg
Motor: Todos los modelos	Vea los datos en el Manual del Propietario del motor.	
Ancho de zanja: (cuatro cuchillas rotativas)	46cm	46cm



Ne pas utiliser cet appareil avant de l'avoir assemblé correctement ou d'avoir lu et compris ces instructions.



Ces instructions sont données à titre d'information et ne remplacent d'aucune façon la législation nationale ou régionale en vigueur. Contacter les collectivités locales en cas de doutes ou de questions sur la législation se rapportant à l'utilisation de cet appareil.

Garder ces instructions en lieu sûr à titre de référence future.

Sommaire

Symboles utilisés dans ce manuel	18
Utilisation correcte	19
Consignes de sécurité	19
Contenu de l'emballage	20
Instructions pour l'assemblage	20
Avant de commencer	21
Entretien général	22
Utilisation du motoculteur	22
Options en supplément et consommables	23
Dépannage	24
Spécifications	24

Symboles utilisés dans ce manuel



Danger potentiel ou situation dangereuse

Le non respect de cette instruction peut occasionner des blessures corporelles ou des dégâts matériels.



Information importante sur l'utilisation correcte

Le non respect de cette instruction peut occasionner des défaillances de la machine.



Information pour l'utilisateur. Cette information vous aide à utiliser toutes les fonctions correctement.

Symboles utilisés sur la machine



Bien lire et comprendre le mode d'emploi avant d'utiliser la machine.



Eloigner les spectateurs. Risque de projection d'objets.



Eloigner les mains et les pieds de l'appareil.



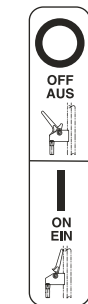
Pente maximale de 15° pour l'utilisation de la machine.



Niveau sonore.



Attention ! Eloigner les mains et les pieds des lames rotatives.



Levier de contrôle de présence de l'opérateur (CPO).



Eloigner les mains et les pieds des lames rotatives.

Utilisation correcte

Pour des raisons de sécurité, le motoculteur ne doit pas être utilisé par des enfants, des adolescents ou par toute personne n'ayant pas pris connaissance du mode d'emploi.



Information spécifique de sécurité. Prière de lire attentivement cette information de sécurité et le mode d'emploi et veiller à suivre les instructions à la lettre.

Attention!

Bien que cette machine ait été conçue pour être utilisée sans danger, il est important de suivre attentivement les instructions de sécurité pour éviter de blesser des personnes ou de causer des dégâts matériels.

Consignes de sécurité

BIEN CONNAITRE VOTRE MOTOCULTEUR

Lire et comprendre le mode d'emploi et les étiquettes apposées sur le motoculteur. Familiarisez-vous avec ses applications et ses limitations ainsi qu'avec les dangers spécifiques et potentiels qui lui sont propres.

STUPÉFIANTS, ALCOOL ET MÉDICAMENTS

Ne pas utiliser le motoculteur sous l'emprise de stupéfiants, d'alcool, ou de tout médicament susceptible d'affecter votre capacité à l'utiliser correctement.

1. Votre motoculteur n'est pas un jouet mais un équipement motorisé et doit être utilisé à tout moment avec la plus grande prudence.
2. Ne pas laisser les enfants utiliser le motoculteur. Seules les personnes familiarisées avec les règles d'utilisation sûre exposées dans ce manuel sont autorisées à utiliser la machine.
3. Lire l'intégralité du manuel pour bien comprendre les fonctions de tous les accessoires et de toutes les commandes.
4. Bien éloigner les personnes, les enfants et les animaux de compagnie de la zone d'utilisation étant donné que des objets peuvent être projetés en cours d'utilisation.
5. Ne vous placez pas devant la machine lorsque vous démarrez le moteur ou lorsque la machine est en marche.
6. Portez un protège-oreilles et des lunettes de sécurité.
7. N'utilisez pas la machine pieds nus ou avec des sandales ouvertes. Il est recommandé de porter des chaussures de qualité.
8. Ne pas porter de vêtements lâches risquant de s'emmêler dans les pièces en mouvement de la machine.
9. Ne pas démarrer le moteur sans avoir verrouillé le pied de soutien de la machine en position basse.
10. Ne pas mettre les mains ou les pieds sur ou à proximité de l'avant de la machine ou des accessoires pendant que le moteur est en marche.
11. Ne pas essayer d'ajuster l'avant de la machine ou les accessoires lorsque le moteur est en marche.
12. Ne pas laisser la machine sans surveillance lorsque le moteur est en marche.
13. Vérifier l'alimentation en carburant avant de démarrer le moteur. Ne pas remplir le réservoir de la machine à l'intérieur, pendant que le moteur est en marche ou si le moteur est chaud. Bien

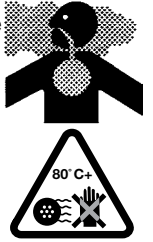


remettre le capuchon du réservoir et essuyer tout déversement d'essence avant de démarrer le moteur.

Attention !

L'essence est extrêmement inflammable ; les déversements de carburant peuvent causer un incendie ou une explosion.

14. Ne pas faire tourner la machine à l'intérieur. Les gaz d'échappement sont toxiques et peuvent être mortels.
15. Ne pas toucher le silencieux du moteur pendant que vous utilisez la machine ou après. Il est extrêmement chaud et peut occasionner de très graves brûlures.
16. Ne pas changer les réglages du régulateur de vitesse du moteur. Un emballement du moteur peut endommager la machine et menacer la sécurité de l'utilisateur.
17. Avant de changer d'accessoire ou d'entretenir la machine, retirer le câble de la bougie et le mettre à terre au bloc moteur pour plus de sécurité.
18. Soyez prudent lorsque vous utilisez la machine à proximité de bâtiments ou de clôtures pour éviter tout dégât ou blessure.
19. Ne pas essayer de retirer de débris des accessoires sans arrêter le moteur et retirer le câble de la bougie pour plus de sécurité. Vérifier que l'avant de la machine s'est arrêté complètement avant d'essayer de dégager les débris.
20. Vérifier que tous les boulons et toutes les attaches de la machine sont bien serrés et les vérifier à intervalles réguliers.
21. Ne pas entreposer la machine dans un bâtiment avec de l'essence dans le réservoir si des vapeurs peuvent entrer en contact avec des flammes ou des étincelles. Laisser le moteur refroidir complètement avant de l'entreposer dans tout espace fermé.



Important!

Le moteur est expédié SANS ESSENCE ou huile. Après assemblage, mettre de l'essence et de l'huile comme indiqué dans le manuel pour le moteur fourni avec votre machine.

NOTE:

Toute référence à la droite ou à la gauche de votre motoculteur est faite à partir de l'arrière de la machine.

Contenu de l'emballage

Avant d'assembler le motoculteur, vérifier que les pièces suivantes ont été incluses.

1. Ensemble faux châssis et moteur
2. Ensemble guidon supérieur et inférieur
3. Mode d'emploi du motoculteur (ce manuel) et mode d'emploi du moteur.
4. Couvre-dents : MkII Europe uniquement.

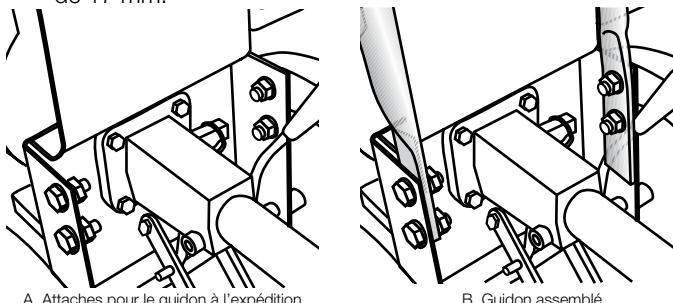
Instructions pour l'assemblage

OUTILS REQUIS POUR L'ASSEMBLAGE

Deux clés AF de 17 mm, un tournevis Pozidrive, une clé ajustable.

ASSEMBLAGE DU GUIDON

1. Attacher l'ensemble guidon au faux châssis à l'aide des quatre boulons et écrous fournis. Les serrer à l'aide des deux clés AF de 17 mm.



A. Attaches pour le guidon à l'expédition

B. Guidon assemblé.

COMMANDE DES GAZ

Dérouler la commande des gaz enroulée autour du moteur. Retirer l'écrou et le boulon M6 de la droite du guidon supérieur, installer la commande des gaz sur le guidon et l'attacher à l'aide de l'écrou et du boulon

LEVIER DE CONTROLE DE PRESENCE DE L'OPERATEUR (CPO)

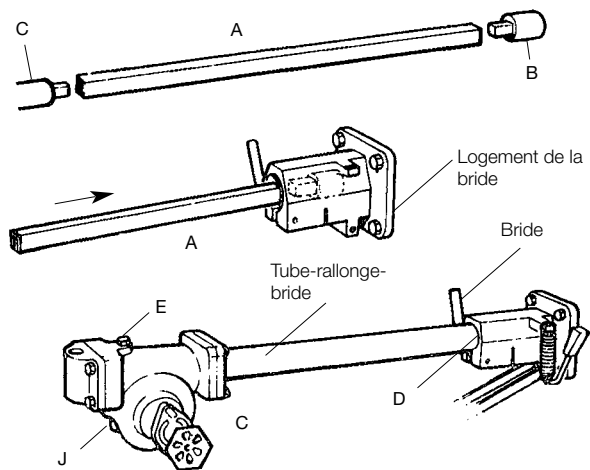
— Modèles européens uniquement.

Dérouler le câble de commande CPO enroulé autour du moteur. Retirer l'écrou et le boulon M6 de la gauche du guidon supérieur, installer le levier CPO sur le guidon et l'attacher à l'aide de l'écrou et du boulon.

Certains modèles du « Home Gardener » sont équipés d'un arceau de détection de la présence de l'utilisateur qui arrête le moteur si l'utilisateur ne se trouve plus derrière le guidon. Il faut relever un petit levier en direction de la poignée de gauche sur laquelle il est situé pour pouvoir démarrer le moteur. Lorsque l'on relâche ce levier, le contact est automatiquement coupé et le moteur s'arrête. Cette coupure de contact est effectuée par un microrupteur situé dans un boîtier juste derrière le châssis du motoculteur. Un câble souple relie le boîtier au levier de la poignée.

ARBRE D'ENTRAÎNEMENT (livré pré assemblé)

1. L'arbre d'entraînement (A) a été conçu pour venir buter contre les chevilles carrées (B) et (C).
2. Installer soigneusement l'arbre d'entraînement étant donné qu'il n'est pas possible de voir la cheville d'entraînement carrée sur l'avant de la machine lorsque le tube-rallonge est installé. Faire tourner l'arbre d'entraînement manuellement jusqu'à ce qu'il tienne bien sur la cheville.



BOITE DE VITESSE et TUBE-RALLONGE (livré pré assemblé)

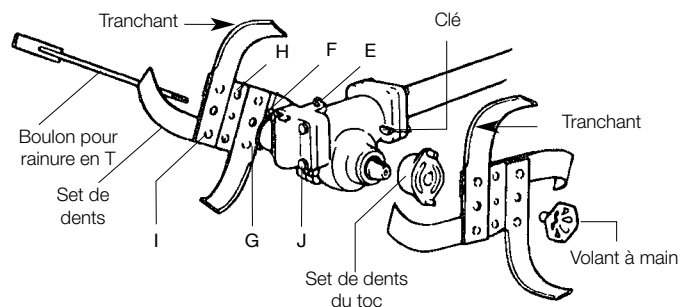
1. Insérer l'arbre d'entraînement dans le logement de la bride et sur la cheville d'entraînement carrée de l'arbre d'entraînement du moteur.
2. Faire glisser l'avant de la machine et le tube-rallonge sur l'arbre d'entraînement vers le logement de la bride.

Important!

Lorsque le tube-rallonge est presque entièrement inséré dans le logement de la bride, il faut faire tourner l'avant de la machine et le tube-rallonge lentement jusqu'à ce que l'arbre d'entraînement soit aligné avec la cheville d'entraînement carrée de l'avant de la machine.

3. Lorsque l'arbre d'entraînement est installé sur les deux chevilles d'entraînement, il faut insérer le tube-rallonge dans la bride jusqu'à la rainure en gradins du tube-rallonge.
4. Serrer le levier de la bride du logement de la bride **MANUELLEMENT UNIQUEMENT**. L'avant de la machine a été conçu pour tourner légèrement si les dents heurtent une pierre ou d'autres objets solides (Deux rondelles sont installées entre l'épaule du boulon de la bride et le logement). Il est possible d'ajuster l'angle final de la bride du guidon en retirant l'une ou les deux rondelles.
5. Mettre le pied de soutien de la machine en position basse en déplaçant le levier à ressort entièrement vers l'arrière (vers le moteur).

ASSEMBLAGE SET DE DENTS ETROIT – Accessoire en option



Un boulon de réduction pour rainure en T a été fourni pour réduire la largeur de labourage à 30 cm.

1. Défaire le volant à main de l'avant de la machine et retirer le boulon pour rainure en T. Faites attention à ne pas perdre les clés qui pourraient être égarées si le toc du set de dents est retiré accidentellement.

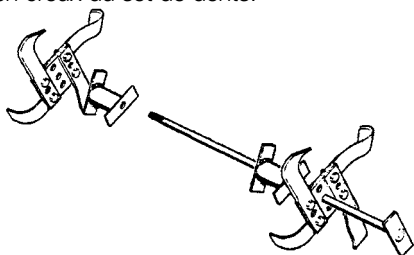
Important!

Les sets de dents sont interchangeables mais il faut veiller à les installer avec le tranchant positionné comme indiqué dans l'illustration.

2. Installer un set de dents sur la monture de droite à l'aide des goujons (F) et (G) à travers les trous (H) et (I).
3. Insérer le boulon pour rainure en T de 19 cm à travers le trou central, l'emboîter dans la « Section T » puis le pousser à travers le trou et le faire ressortir par le support pour le set de dents de gauche.
4. Installer le second set de dents et le maintenir en place en vissant le volant à main.

i Important!
Serrer le volant à main manuellement aussi fermement que possible (ne pas utiliser d'outils pour le forcer).
ASSEMBLAGE DE L'EXTENSION DE SET DE DENTS – Accessoire en option.
L'extension de set de dents augmentera la largeur de labourage à 60 cm.

i Important!
Les extrémités en T de l'entretoise doivent être placées dans la section en creux du set de dents.



1. Faire passer le boulon pour rainure en T à travers le centre du trou en vérifiant que le set de dents interne butte contre l'entretoise.
2. Répéter cette opération de l'autre côté et fixer en vissant le volant à main.

i Important!
Vérifier que les tranchants de tous les sets de dents sont placés dans la bonne direction.

LE STABILISATEUR.

En ajoutant le stabilisateur, vous pourrez labourer plus profondément et ameublir les sols durs compactés. Pour attacher le stabilisateur, insérer la cheville dans le trou situé à l'avant de la boîte de vitesses. Faire passer la goupille fendue à travers le trou de la cheville. Pour les modèles européens uniquement : il est possible de retirer le stabilisateur de la machine ou de l'installer en tirant sur la bride de fixation située sous le protecteur de dents.

INSTALLATION DU PROTECTEUR DE DENTS.

Le protecteur de dents est un accessoire standard du modèle européen et disponible en option sur d'autres modèles. Pour installer le protecteur de dents, placer l'ergot dans le support situé sur la tête de l'embrayage et le maintenir en place à l'aide de la broche fournie.



! Attention!

La réglementation stipule que le modèle européen doit être utilisé avec le protecteur de dents en place. Ne jamais utiliser la machine si le protecteur de dents n'est pas en place..

Avant de commencer

i Important!
Ne pas faire tourner le moteur de cette machine avant de l'avoir rempli avec le niveau correct d'huile. Vérifier le niveau d'huile dans l'avant de la machine – se reporter à la section « Entretien général », point no 2, à la page suivante.

Calez votre motoculteur Masport en position plane et retirer le bouchon libellé « OIL FILL ». Utiliser un entonnoir pour remplir le carter à ras bord avec de l'huile SAE 10W-30 (600 ml), puis remettre le bouchon et le serrer. Lorsque vous remplissez le carter, il faut verser l'huile lentement pour éviter les poches d'air.

Vérifier le niveau d'huile à chaque utilisation de votre machine et, au besoin, le remplir jusqu'à ras bord. Vous trouverez de l'huile de remplacement chez votre concessionnaire Masport. Remplir le réservoir à carburant avec de l'essence propre, fraîche, et de préférence de première qualité.

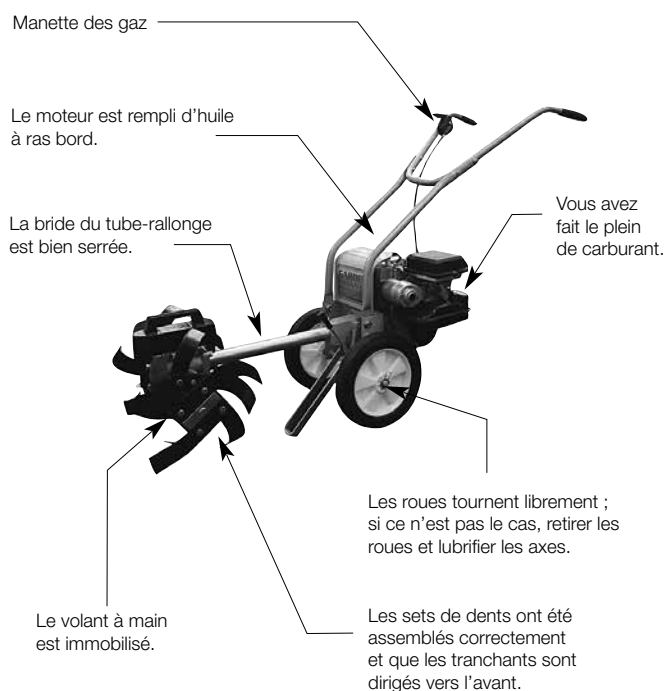
! Le moteur de votre motoculteur sera bien plus performant si vous ne l'utilisez que pour des charges modérées lors des cinq premières heures d'utilisation. Evitez d'utiliser votre machine avec le moteur à plein régime au cours de cette période.

DÉMARRAGE DU MOTEUR

Pour une description plus détaillée, se reporter au mode d'emploi du moteur fourni.

Vérifier que les dents ne reposent pas au sol. Vérifier que le pied de soutien est abaissé et en position verrouillée.

A CHAQUE UTILISATION DE VOTRE MOTOCULTEUR VÉRIFIER QUE...:



Entretien général

Huilez ou lubrifiez légèrement les pièces en mouvement. L'avant de la machine a été rempli avec une huile spéciale pour engrenages, avant la livraison. Pour obtenir de l'huile de remplacement, commander l'article numéro 503335 à votre concessionnaire Masport.



Important!

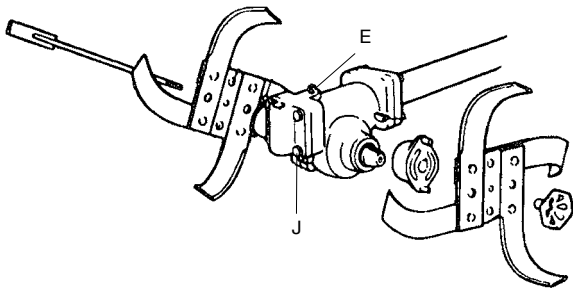
Si vous n'utilisez pas cette huile spéciale pour engrenages, vous risquez d'endommager l'engrenage et d'annuler votre garantie. Lorsque vous lavez votre machine, faites attention à ne pas mouiller le moteur. Vous risquez de l'endommager.

APRES LES CINQ PREMIERES HEURES DE TRAVAIL

Changer l'huile du moteur. Se reporter au manuel fourni pour le moteur pour plus de détails.

APRES TOUTES LES 20-25 HEURES D'UTILISATION

1. Changer l'huile du moteur. Se reporter au manuel fourni pour le moteur pour plus de détails.
2. Vérifier le niveau d'huile dans l'avant de la machine. Au besoin, le remplir d'huile (utiliser l'article Masport numéro 503335). Lorsque l'avant de la machine est en position plane, dévisser les bouchons d'huile « E » et « J » et verser de l'huile lentement dans le trou supérieur jusqu'à ce que l'huile s'écoule par le trou inférieur. Replacer les deux bouchons et les serrer.



3. Nettoyer et lubrifier le filtre à air (toutes les quelques heures dans un environnement poussiéreux). Pour une description plus détaillée, se reporter au manuel fourni pour le moteur.

APRES TOUTES LES 100 HEURES D'UTILISATION (Plus souvent dans un environnement poussiéreux)

1. Entretien du filtre à air, se reporter au manuel fourni pour le moteur.
2. Nettoyage des ailettes du bloc moteur et de la culasse, se reporter au manuel fourni pour le moteur.
3. Vérifier que tous les écrous et tous les boulons sont bien serrés.

Utilisation du motoculteur

Lorsque vous avez décidé de quel bout de terrain vous souhaitez utiliser pour votre jardin potager, il est souhaitable de le désherber avant de commencer à labourer. Pour ce faire, utilisez les dents de labourage livrées en équipement standard avec votre motoculteur.

Placez tout d'abord le motoculteur sur son pied de soutien et vérifiez que les dents tournent vers l'avant et que les tranchants sont en avant. Démarrez le moteur et réglez la commande des gaz sur « Fast ». Rétractez le pied de soutien en poussant le levier vers l'avant. Laissez les dents accrocher le sol. Cette action fait avancer la machine pendant qu'elle arrache les mauvaises herbes et les chaumes. Tournez le guidon de gauche à droite en un arc de cercle d'environ 50 cm et avancez en ligne droite vers l'extrémité de votre jardin. Exercez toujours un peu de pression vers le haut sur le guidon sauf lorsque vous voulez arrêter le mouvement vers l'avant. Guidez la machine sans la pousser. Laissez le motoculteur travailler pour vous.

Si certaines mauvaises herbes sont vraiment revêches, tirez la machine vers l'arrière le long de la rangée pour en déloger les racines. Lorsque vous avez terminé la première rangée, appuyez sur le guidon pour dégager les dents du sol et manœuvrez la machine sur ses roues pour commencer à labourer la rangée suivante. Répétez cette opération jusqu'à ce que la zone soit dégagée. Dégagez les mauvaises herbes à l'aide d'un râteau et vous serez prêt à commencer à labourer.

PREMIER LABOURAGE

Cette tâche constitue le prolongement de l'opération de désherbage. Comme auparavant, réglez la commande des gaz sur la position « Fast » et placez la machine en position pour creuser la première rangée. Cette fois-ci, appliquez un peu plus de pression vers le haut sur le guidon et laissez les dents pénétrer dans le sol jusqu'à une profondeur d'environ 15 cm. Tout comme lors du désherbage, tournez le guidon de gauche à droite. Continuez jusqu'à ce que toute la surface ait été labourée. Il est recommandé de laisser le sol reposer et de le labourer à nouveau avant de planter.

AMEUBLISSEMENT DES SOLS DURS

Si le sol est très dur et compacté, utilisez la façon de procéder « creusage de tranchées » ci-après. Il peut également être utile d'ajouter le stabilisateur. Lorsque la commande des gaz du motoculteur est sur la position « Fast », tournez le guidon de gauche à droite en un arc de cercle en exerçant une pression vers le haut sur le guidon. Creusez une tranchée de 15 cm de profondeur et légèrement plus large que la largeur des dents. Puis laissez la machine tirer vers l'avant et les roues reposer dans la tranchée que vous venez de creuser. Vous pourrez ainsi ancrer les roues dans la tranchée. Répétez la procédure et creusez une autre tranchée. Tirez ensuite la machine vers l'arrière et rasez la butte entre les deux tranchées. Lorsque vous avez terminé cette manœuvre, laissez le motoculteur se propulser vers l'avant jusqu'à ce que les roues s'ancrent à nouveau contre le rebord de la tranchée avant et répétez le processus. A l'aide de cette technique, vous pourrez labourer les sols les plus durs relativement aisément.

PLANTER

Rappelez-vous d'utiliser votre motoculteur Masport un maximum pour désherber et pour labourer à faible profondeur. Ménagez suffisamment d'espace entre les rangées pour permettre au motoculteur de travailler entre les rangées pendant que les plantes poussent ; ménagez un minimum de 30 cm pour pouvoir utiliser votre motoculteur avec un set unique de dents. Se reporter à la section « Options en supplément ».

DESHERBER

Il est possible de régler votre motoculteur pour pouvoir gérer tous les types d'opérations de désherbage. Si la zone à désherber est entre des rangées bien espacées, il peut être pratique d'utiliser les sets standards de dents doubles. Si les rangées sont moins espacées, il est possible de retirer les deux sets externes de dents et de réduire la largeur de labourage à 30 cm. Les mauvaises herbes continueront à pousser pendant que vos plantes et graines poussent ; si vous ne vous en occupez pas régulièrement, les mauvaises herbes étoufferont et étrangleront les jeunes plantes. Pour désherber entre les rangées, réglez l'avant du motoculteur de sorte que les dents courbes tournent vers l'avant. Démarrez la machine et réglez la commande des gaz à demi-vitesse. Soulevez le guidon légèrement vers le haut et travaillez entre deux rangées en tournant le guidon de gauche à droite ce qui permettra aux dents de déloger les mauvaises herbes. Utilisez la machine ainsi entre les rangées et entre les plantes individuelles. Le cou allongé du motoculteur vous permet de voir où vous allez lorsque vous travaillez à proximité des plantes. Avec de la pratique, vous pourrez effectuer cette opération à un rythme de marche approchant de la normale.

COMMENT AERER LE SOL

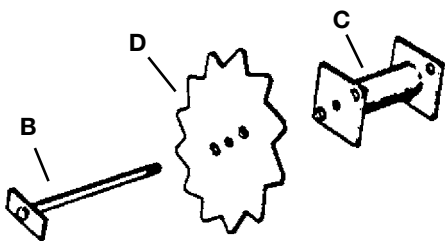
Il faut aérer le sol pour permettre une répartition égale de l'humidité et un apport d'oxygène dans le sol. Pour effectuer cette opération, il est recommandé d'utiliser l'outil de labourage.

Installation: Faire glisser le boulon de 28 cm (B) pour rainure en T à travers l'outil de labourage (E) et l'entraînement de l'entretoise (C) puis à travers les engrenages. Resserrer l'écrou papillon pour sécuriser l'assemblage. Desserrer le dispositif de serrage qui maintient le bout d'arbre et tourner les engrenages à 90 degrés, avant de resserrer le dispositif.

Lorsque l'outil de labourage a été installé, il devrait tourner dans le sens contraire des aiguilles d'une montre. Après avoir démarré la machine, soulever le guidon pour permettre à l'outil de labourage de rompre la surface du sol. Réglez la commande des gaz à demi-vitesse et travaillez vers l'arrière de la rangée à l'aide de la technique de manœuvre du guidon décrite précédemment.

TAILLAGE DE BORDURES DE PELOUSES – Option en supplément

Installez le disque de taillage de bordures (D) sur l'un des côtés de l'avant de la machine. Pour installer le disque, vous aurez besoin de l'extension de montage (C), du boulon de 28 cm (B) pour rainure en T et de la rondelle. Assemblez comme indiqué et vérifiez que les chevilles courtes tiennent dans les trous de la sarcluse. Rappelez-vous que le disque doit tourner vers l'avant et que l'extrémité courte de chaque dent doit être en position avant. Resserrer l'écrou papillon sur le boulon (B) pour rainure en T pour sécuriser l'assemblage.



Placez le motoculteur sur une allée en béton pour lui conférer une surface porteuse ferme et constante. Démarrez la machine et réglez la commande des vitesses au quart de la vitesse. Placez le disque précisément entre le rebord de la pelouse et le béton. Continuez à contrôler la vitesse du motoculteur pour permettre aux dents de couper l'excès d'herbe. Lorsque vous avez terminé cette tâche, dégagez l'herbe coupée à l'aide de la brosse. Si vous voulez des rebords biseautés, réglez le tailleur sur l'angle souhaité.

BROSSE ROTATIVE - Option en supplément

Cette brosse est utile pour aider à rénover allées, chemins, patios, etc. S'utilise en conjonction avec des nettoyants pour béton et de l'eau.

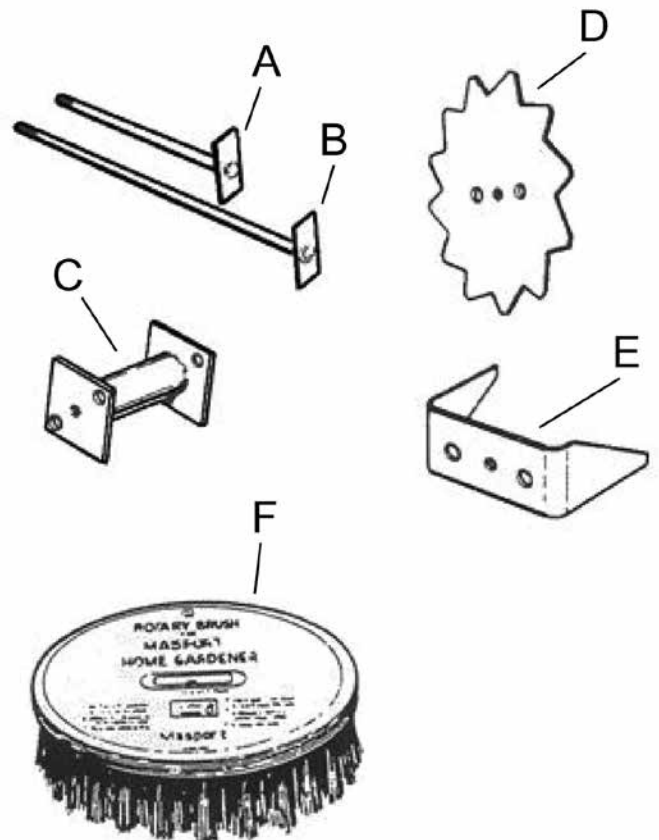
Installation: Faire glisser le boulon de 28 cm (B) pour rainure en T à travers la brosse (F) et l'entretoise des dents (C), puis à travers les engrenages. Resserrer l'écrou papillon pour sécuriser l'assemblage. Desserrer la bride de serrage qui maintient le bout d'arbre et tourner les engrenages à 90 degrés, avant de resserrer le dispositif.

Options en supplément et consommables

Vous pouvez acheter les accessoires suivants auprès de votre concessionnaire Masport.

- 755068 Kit de réduction des dents. Ce kit réduit la tête de coupe à deux dents, 30 cm.
- 555069 Kit de bordures. Ce kit est utilisé pour tailler les bordures de pelouses.
- 555790 Protecteur de dents.
- 503335 Huile pour engrenages.
- 550019 Kit d'accessoires. Comprend : brosse rotative, tailleur de bordures, outil de labourage et pièces associées.

- A. Un boulon de 19 cm pour rainure en T, utilisé pour faire passer à deux les jeux de dents.
- B. Un boulon de 28 cm pour rainure en T, utilisé pour fixer le disque de taillage, l'outil de labourage ou la brosse.
- D. Un disque de taillage
- C. Un entraînement d'entretoise
- E. Un outil de labourage/d'aération
- F. Une brosse



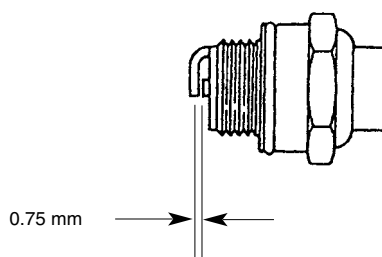
Dépannage

Vérifications à effectuer	Cause possible	Solution
Est-ce que le moteur démarre ? OUI ▼	NON ▶ Lanceur à rappel défectueux. Dégâts internes	Rapportez le motoculteur au concessionnaire
Est-ce que la compression est suffisante ? OUI ▼	NON ▶ Bougie mal serrée. Usure excessive du cylindre, du piston, des segments de pistons.	Serrez et testez à nouveau. Rapportez le motoculteur au concessionnaire
Est-ce que le réservoir contient du carburant frais ? OUI ▼	NON ▶ Mélange carburant incorrect, trop vieux, contaminé. Est-ce que le carburant est de la bonne qualité ?	Remplissez à nouveau avec du carburant frais et de qualité. Utilisez l'essence spécifiée.
Est-ce que le carburant est visible et se déplace dans la conduite de retour lors de l'amorçage ? OUI ▼	NON ▶ Vérifiez que le filtre à carburant et/ou l'évent ne sont pas bouchés.	Nettoyez comme requis. Redémarrez.
Vérifier la bougie	Si la bougie est mouillée, il est possible qu'il y ait trop de carburant dans le cylindre. Il se peut que la bougie soit encrassée ou mal espacée. Il se peut que la bougie soit endommagée à l'intérieur ou que sa gamme thermique soit incorrecte.	Démarrez le moteur sans la bougie, remettez la bougie et redémarrez. Nettoyez et ajustez l'écart de la bougie sur 0,75 mm. Redémarrez. Remplacez la bougie par la bougie spécifiée. Redémarrez.

LISTE DE VERIFICATION EN CAS DE PROBLEMES

Ne supposez pas immédiatement que le problème est d'origine mécanique ; vérifiez au préalable les possibilités suivantes :

1. Quantité insuffisante de carburant dans le réservoir. Nous vous recommandons d'utiliser des carburants sans plomb pour ses propriétés de combustion propre et sa faible teneur en alcool.
2. Carburant trop vieux.
3. Obstruction de l'évent du capuchon du carburant.
4. Présence d'eau ou de saleté dans le carburant.
5. Réglage incorrect du carburateur.
6. Bougie et/ou câble lâche.
7. Bougie calcinée ou carbonée.
8. Ecart incorrect de la bougie. L'écart correct pour une bougie Champion RJ 19LM est de 0,75 mm (0.030").



Spécifications

Modèle	MKII	MKII (modèle européen)
Poids de l'unité	37,5 kg	41,5 kg
Moteur : tous les modèles	Se reporter au mode d'emploi du moteur pour plus de détails.	
Largeur de creusage de tranchées (quatre dents)	46 cm	46 cm

